

GAME PLAN, INC.

AGENT 7-7-7

PINBALL

(MODEL 770)

PARTS CATALOG

GAME PLAN INC.
1515 W. FULLERTON AVE.
ADDISON ILL. 60101

02-30098A

INTRODUCTION

THIS PARTS CATALOG HAS BEEN COMPILED TO HELP THE SERVICEMAN IN SELECTING THE PARTS NECESSARY FOR PROPER MAINTENANCE OF GAME PLAN, INC. GAMES.

ALL MOTORS IN NEW GAME PLAN GAMES CARRY A 6 MONTH WARRANTY FROM THE DATE OF PURCHASE OF THE MACHINE. ANY DEFECTIVE MOTOR WILL BE REPLACED FREE OF CHARGE BY YOUR GAME PLAN DISTRIBUTOR.

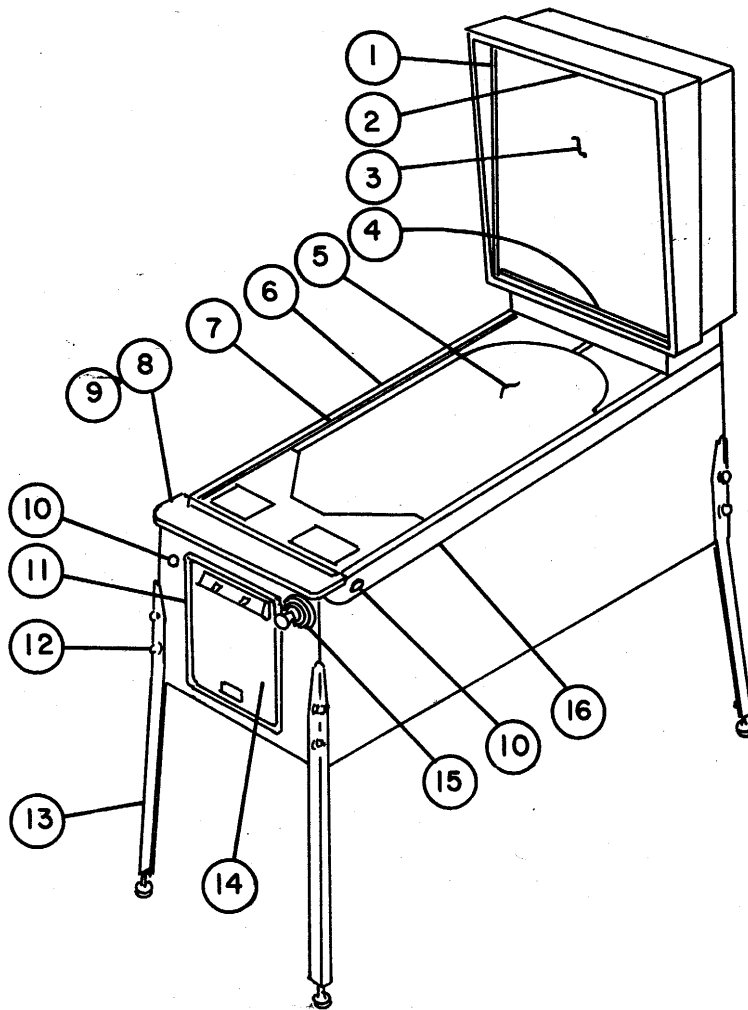
ALL P.C. BOARDS CARRY A 90 DAY WARRANTY. ANY DEFECTIVE P.C. BOARD WILL BE REPAIRED FREE OF CHARGE.

WHEN ORDERING PARTS, ALWAYS SPECIFY THE NAME OF THE UNIT, PART NUMBERS, AND A DESCRIPTION OF THE PART AS SHOWN IN THIS CATALOG.

GAME PLAN, INC.

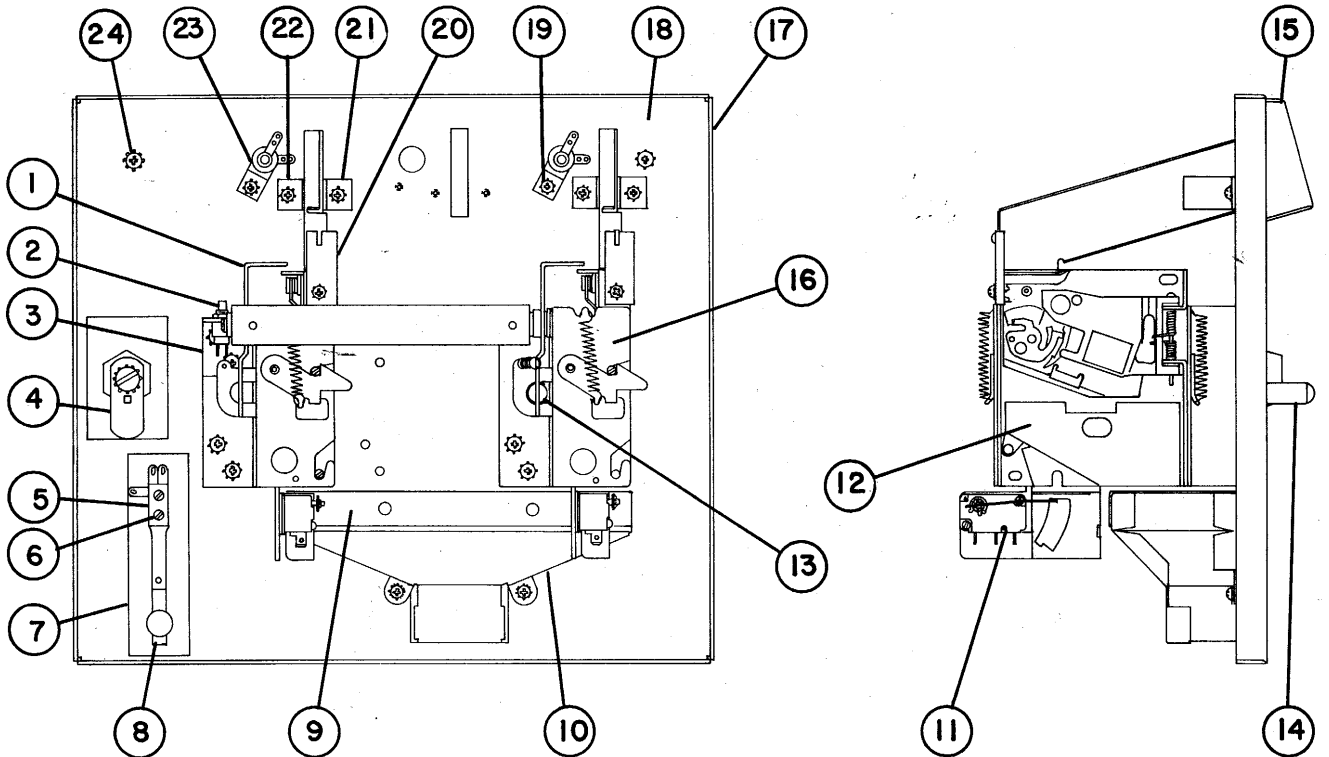
INDEX

INTRODUCTION.....	1
INDEX.....	2
COMPLETE CABINET.....	3
FRONT DOOR ASS'Y.....	4
BALL SHOOTER ASS'Y.....	5
BALL KICKER ASS'Y.....	6
BDU-2 BACKGLASS DISPLAY UNIT.....	7
PLAYFIELD TOP.....	8
PLAYFIELD TOP PARTS LIST.....	9
PLAYFIELD BOTTOM.....	10
PLAYFIELD BOTTOM PARTS LIST.....	11
BANK TARGET ASS'Y.....	12
TILT BLOCK ASS'Y.....	13
FLIPPER BUTTON.....	14
BALL KICKOUT ASS'Y.....	15
POWER SUPPLY ASS'Y.....	16
POWER SUPPLY PARTS LIST.....	17
FLIPPER ASS'Y.....	18
SLING SHOT ASS'Y.....	19
POWER BUMPER ASS'Y.....	20
POWER BUMPER PARTS LIST ASS'Y.....	21
LDU-2 LAMP DRIVER UNIT.....	22
LDU-2 LAMP DRIVER PARTS LIST.....	23
SDU-1 SOLENOID DRIVER UNIT.....	24
SDU-1 SOLENOID DRIVER PARTS LIST.....	25
MPU-2 MICRO PROCESSOR UNIT.....	26
MPU-2 MICRO PROCESSOR UNIT PARTS LIST.....	27
MSU-1 SOUND SIMULATOR UNIT.....	28
MSU-1 SOUND SIMULATOR PARTS LIST.....	29
BDU-1 BACKGLASS DISPLAY UNIT.....	30

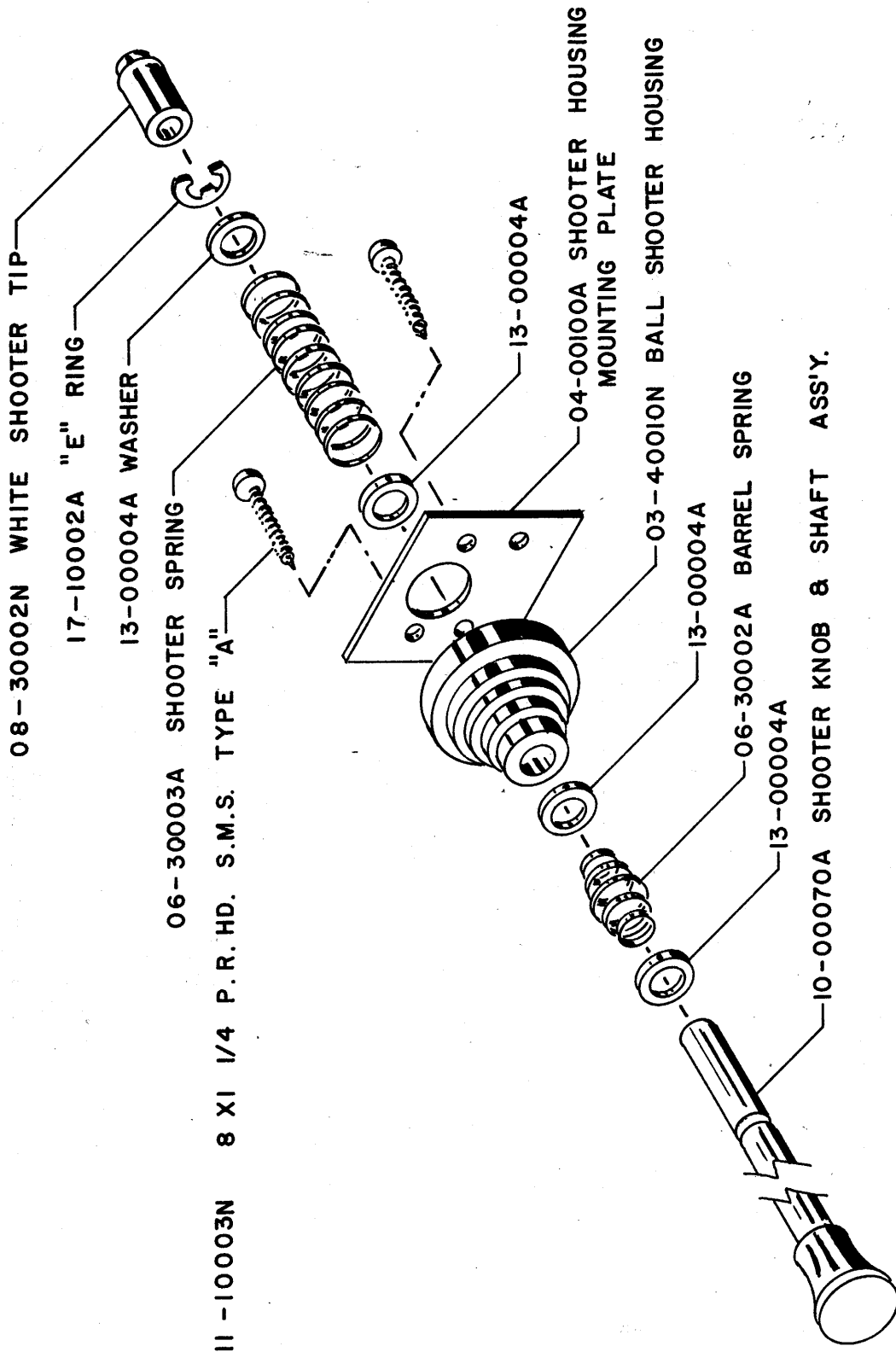


ITEM	PART NO.	DESCRIPTION
1	03-20003A	DISPLAY GLASS CHANNEL (2 SIDES)
2	03-20004A	DISPLAY GLASS CHANNEL (TOP)
3	08-10206E	BACKRACK GLASS
4	04-00163A	GLASS LIFT CHANNEL
5	08-10003D	TOP GLASS
6	04-10004C	SIDE MOLDING - LEFT
7	03-20002A	TOP GLASS CHANNEL
8	10-00057C	FRONT MOLDING ASS'Y.
9	10-10056C	FRONT MOLDING LOCK ASS'Y.
10		FLIPPER BUTTON & CREDIT BUTTON ASSEMBLY (SEE PAGE 12)
11	10-00066C	DOOR FRAME ASS'Y.
12	11-50001N	3/8-16 X 2-3/8 HEX ACORN HD. BOLT
13	04-00156C	CABINET LEG
14	10-10060D	FRONT DOOR ASS'Y. (SEE PAGE 3)
15	10-10074A	BALL SHOOTER ASS'Y. (SEE PAGE 4)
16	04-10005C	SIDE MOLDING - RIGHT

FRONT DOOR ASSEMBLY



ITEM	PART NO.	DESCRIPTION
1	10-00022 A	REJECT ARM ASS'Y.
2	22-10001N	TEST SWITCH
3	04-00175A	TEST SWITCH MTG. BRACKET
4	14-10002N	LOCK & OFFSET CAM ASSEMBLY
5	17-90001N	TENSION PLATE
6	11-40028N	5-40 X 1/2 P. R. HD. M. S.
7	08-60009A	TILT SWITCH INSULATOR
8	22-00011N	TILT SWITCH
9	04-00179B	COIN RETURN THROUGH COVER
10	10-00046B	COIN RETURN THROUGH ASS'Y.
11		COIN SWITCH-SPECIFY COIN DENOMINATION
12		COIN ACCEPTOR-SPECIFY COIN DENOMINATION
13	17-10004A	"C" RING
14	05-40004A	REJECT ROD
15	10-10061A	COIN ENTRY FRAME ASS'Y. (SPECIFY COIN & DESCRIPTION ON WINDOW)
16	10-00068B	CHANNEL SUPPORT BRKT. ASS'Y
17	04-00115C	FRONT DOOR
18	10-00050C	FRONT DOOR BACK MTG. PLATE ASS'Y.
19	11-40003N	6-32 X 1/4 P. R. HD. M. S. EXT. SEMS
20	04-00035A	CHUTE ALIGNMENT BRKT.
21	10-00047A	INSIDE COIN TRACK
22	10-00048A	OUTSIDE COIN TRACK
23	29-60006N	SOCKET
	31-00002N	44 LAMP
24	11-40002N	8-32 X 1/4 P. R. HD. M. S. EXT. SEMS

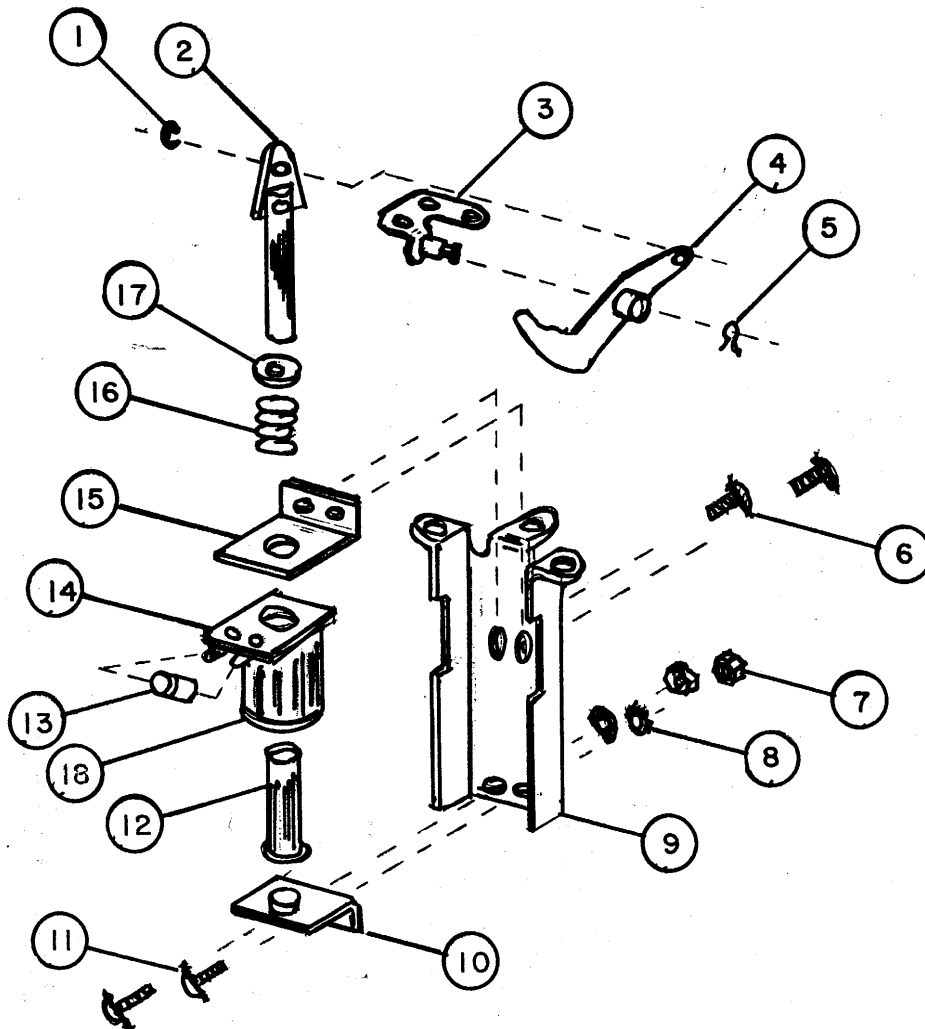


BALL SHOOTER ASSEMBLY

10-10074A

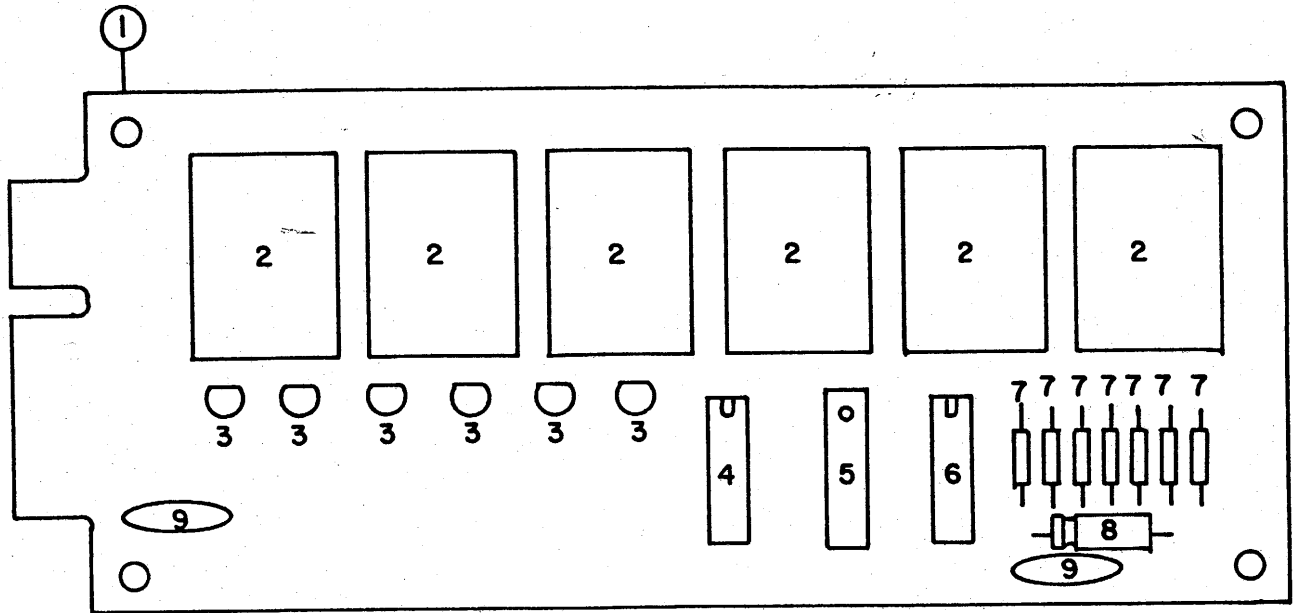
BALL KICKER ASSEM.

10-10010B



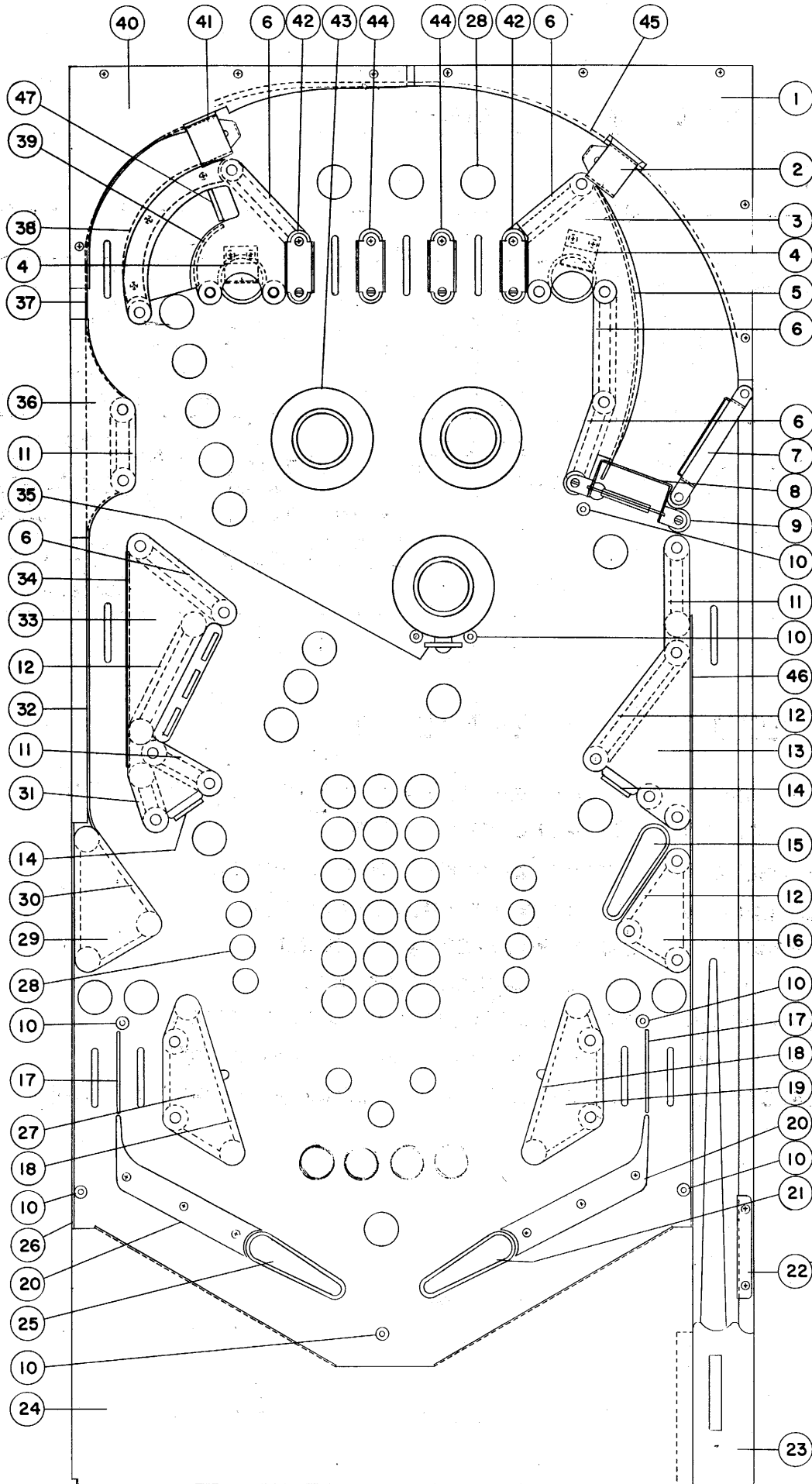
<u>ITEM</u>	<u>PART NO.</u>	<u>DESCRIPTION</u>	<u>ITEM</u>	<u>PART NO.</u>	<u>DESCRIPTION</u>
1	17-10003A	"E" RING	11	11-40004N	6/32X 3/8 P.R.H.M.S.SEMS
2	10-10001A	PLUNGER-LINK ASSEM.	12	03-40008N	SOLENOID TUBE
3	10-00005A	ARM MTG. BRK'T.	13	25-00001N	1N4004 DIODE
4	10-00007A	STUD-HUB	14	21-50004	SOLENOID
5	17-20001A	SPRING CLIP	15	04-00008A	COIL SUPPORT BRK'T.
6	11-40003N	6/32X1/4 P.R.H.M.S.SEMS	16	06-30004A	SPRING
7	12-00002N	6/32 HEX HD. NUT	17	13-00003A	STEEL WASHER
8	13-10002N	NO.6 EXT. T. LOCKWASHER	18	10-10086N	SOLENOID ASSEM. INC.
9	04-00026B	COIL MTG. BRK'T.			ITEMS 12-13-14
10	10-00009A	PLUNGER STOP BRK'T.			

BDU-1 BACKGLASS DISPLAY UNIT



<u>ITEM</u>	<u>PART NO.</u>	<u>DESCRIPTION</u>
1	20-00008B	BDU-1 P.C. BOARD BDU-2 20-00057B
2	31-20002N	.8" 7 SEGMENT DISPLAY
3	25-10006N	MPSA13 DARLINGTON TRANSISTOR
4	26-00002N	74LS379 INTEGRATED CIRCUIT
5	26-00001N	74LS48 INTEGRATED CIRCUIT
6	26-00003N	2003 INTEGRATED CIRCUIT
7	23-00001N	22 OHM \pm 5%, 1/4 WATT RESISTOR
8	24-10001N	10 MFD, 16 VOLT AXIAL LYTIC CAP
9	24-00001N	.01 MFD \pm 10%, 50 VOLT CERAMIC DISC CAP

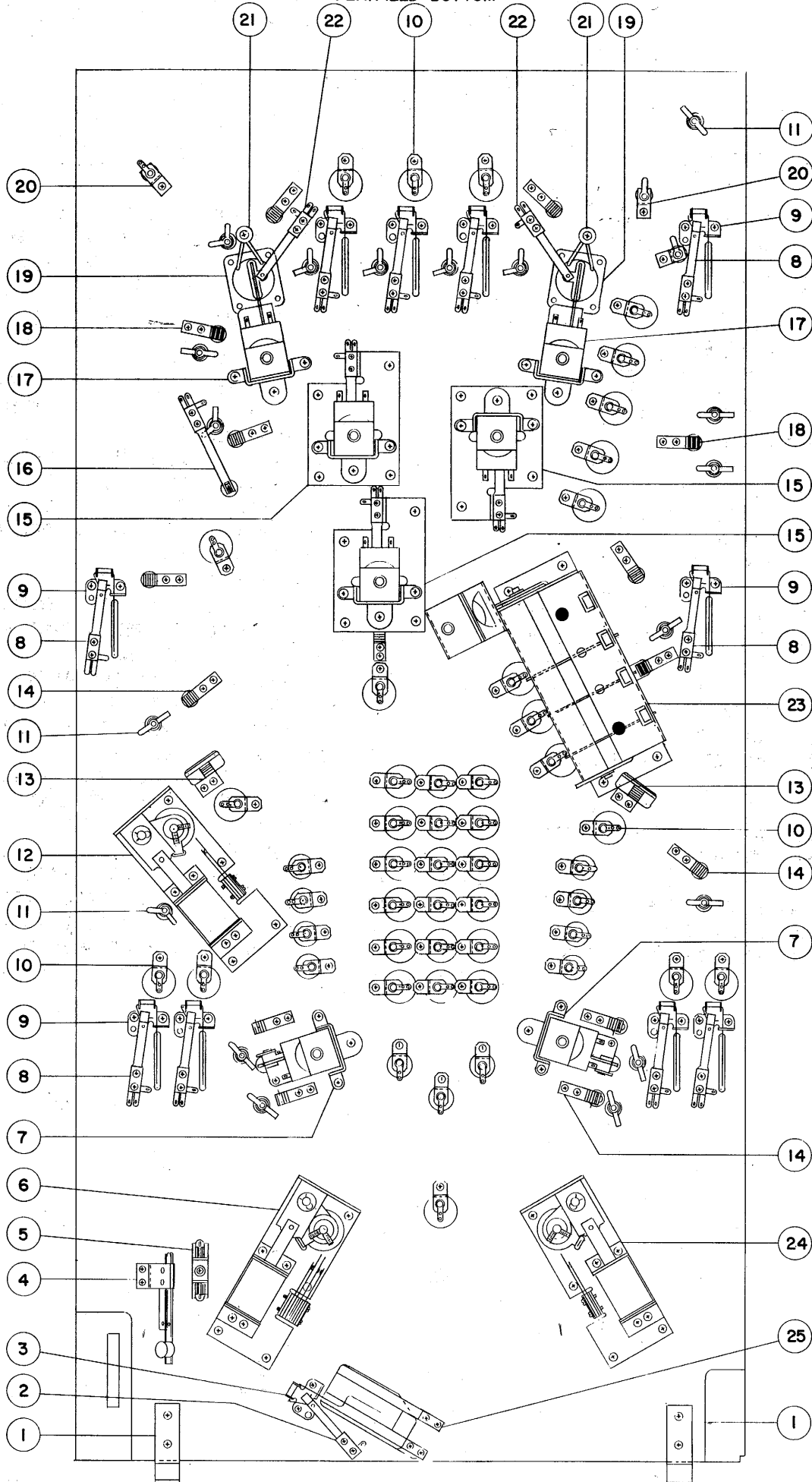
PLAYFIELD TOP



PLAYFIELD TOP - AGENT 7-7-7

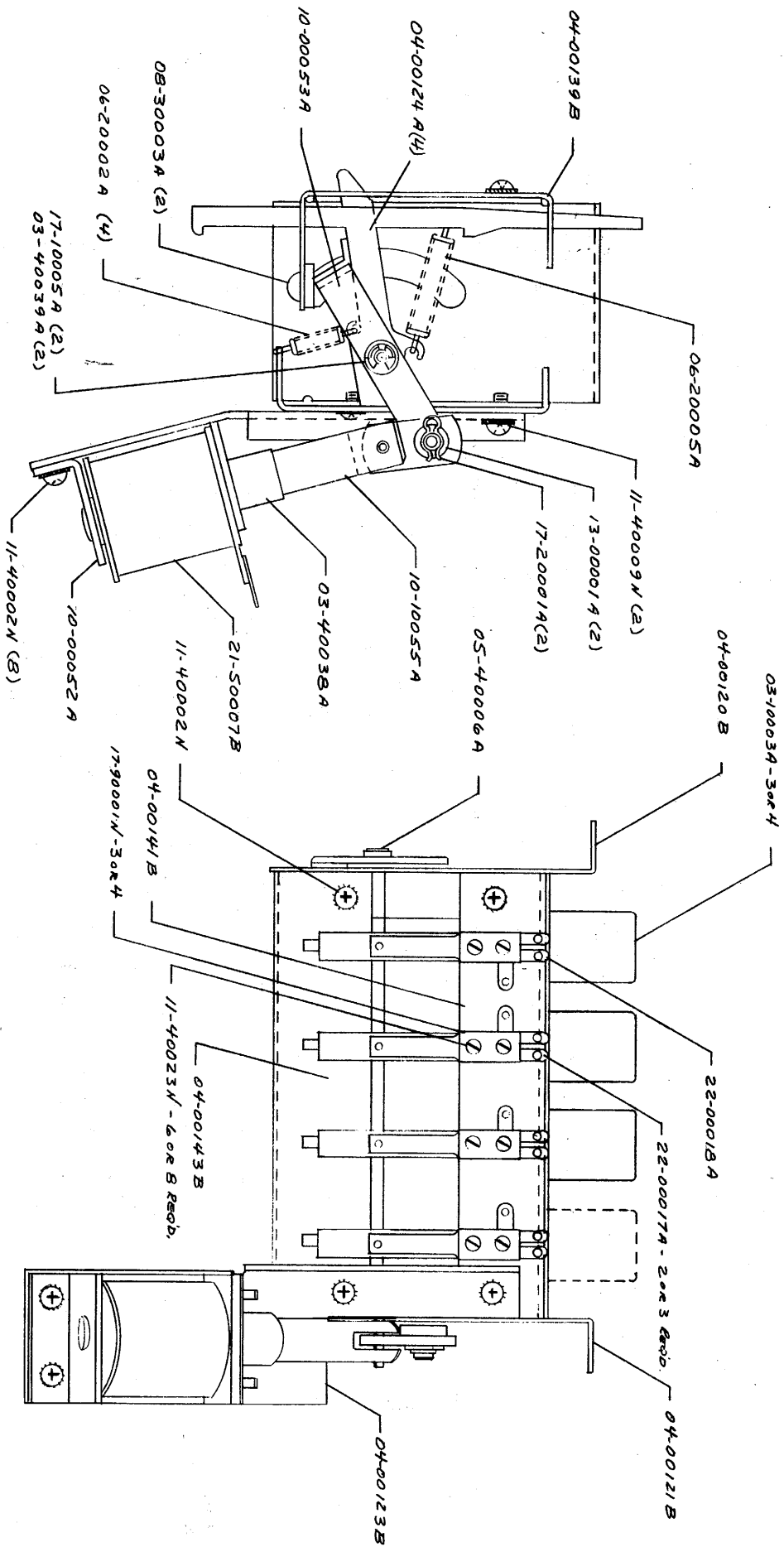
<u>ITEM</u>	<u>PART NO.</u>	<u>DESCRIPTION</u>	<u>ITEM</u>	<u>PART NO.</u>	<u>DESCRIPTION</u>
1	08-00137C	OVERLAY	24	04-01174N	BOTTOM ARCH
2	10-00003A	BALL GATE ASS'Y	25	10-10081B	LEFT FLIPPER ASSY
	06-10001B	SPRING	26	10-10554B	LEFT SIDE RAIL ASSY
	05-50001A	PIN	27	08-00147C	OVERLAY
3	08-00139C	OVERLAY	28	03-40020N	1" INSERT - WHITE
4	04-01174A	BALL DEFLECTOR		03-40022N	1" " - YELLOW
5	06-00036A	BALL GUIDE WIRE		03-40045N	1" " - BLUE
6	08-30014N	1½ I.D. RUBBER RING		03-40054N	1" " - GREEN - TRANS.
7	10-10545A	WIRE GATE ASS'Y		03-40065N	1" " - RED - TRANS.
	06-00040A	WIRE GATE		03-40044N	1" " - AMBER
	04-00358A	BRACKET		03-40084N	3/4" " - ORANGE - TRANS.
8	10-10550N	SPINNER ASS'Y	29	08-00144C	OVERLAY
	10-00014A	SPINNER ASS'Y	30	08-30009N	2½" I.D. RUBBER RING
	08-90284N	DECAL - DROP TARGET	31	08-30005N	1" I.D. RUBBER RING
9	03-40081N	POST -BLUE	32	04-01169B	BALL RUN
	08-30004N	5/16" I.D. RUBBER RING	33	08-00142C	OVERLAY
10	05-30032N	MINI BUMPER POST-SCREW TYPE	34	06-00082A	BALL GUIDE WIRE
	08-30018N	MINI POST RUBBER RING	35	10-10093A	TARGET SWITCH ASSY
11	08-30006N	1½ I.D. RUBBER RING	36	08-00143C	OVERLAY
12	08-30012N	2" I.D. RUBBER RING	37	10-00484B	BALL RUN ASSY
13	08-00141C	OVERLAY	38	08-00148C	BALL GUIDE (PLASTIC)
14	10-10553A	TARGET SWITCH ASSY	39	06-00081A	BALL GUIDE WIRE
15	10-10082A	RIGHT FLIPPER ASSY	40	08-00138C	OVERLAY
16	08-00145C	OVERLAY	41	10-00004A	BALL REBOUND ASSY
17	06-00022A	BALL GUIDE WIRE	42	03-40083N	1½ GUIDE RAIL-1 SIDED TRANS
18	08-30013N	3" I.D. RUBBER RING	43	03-40080N	SUNBURST CAP
19	08-00146C	OVERLAY		08-90285N	DECAL
20	08-00149C	LOWER BALL RUN-LEFT & RIGHT	44	03-40082N	1½ GUIDE RAIL -TRANS BLUE
21	10-10555A	LOWER RIGHT FLIPPER	45	06-00027B	BALL GUIDE WIRE
22	04-00101A	RAIL GUARD	46	10-10543B	RIGHT SIDE RAIL ASSY
23	04-01173N	SHOOTER INDICATOR	47	10-10064A	TARGET SWITCH ASSY

PLAYFIELD BOTTOM



PLAYFIELD BOTTOM

<u>ITEM</u>	<u>PART NO.</u>	<u>DESCRIPTION</u>
1	04-00136A	PLAYFIELD SUPPORT BRACKET
2	22-00020A	BALL KICKOUT SW.
3	10-10017A	BALL EJECTOR WIRE FORM ASSY
4	10-00026A	TILT SW. ASS'Y
5	30-10002N	FUSE HOLDER
6	10-10082B	RIGHT FLIPPER ASS'Y
7	10-10009B	SLING SHOT ASS'Y
8	22-00007A	ROLLOVER SW.
9	10-10016A	ROLLOVER WIRE FORM ASS'Y
10	29-60002N	LAMP SOCKET - LONG Z
11	29-60005N	LAMP SOCKET - STAPLE TYPE
12	10-10555A	RIGHT FLIPPER - SPECIAL
13	10-10553A	TARGET SW.
14	10-00120A	SLING SHOT SW.
15	10-10004B	POWER BUMPER
16	22-00006A	SPINNER SW.
17	10-10010B	BALL KICKER ASS'Y
18	10-00121A	PLAYFIELD SW.
19	03-40024A	KICKER HOLE COVER
20	29-60003N	LAMP SOCKET - SHORT Z
21	06-00001A	WIRE FORM
22	22-00005A	KICKER HOLE SW.
23	10-10554N	DROP TARGET ASS'Y
24	10-10081B	LEFT FLIPPER ASS'Y
25	10-00051B	RUNWAY BALL GUIDE



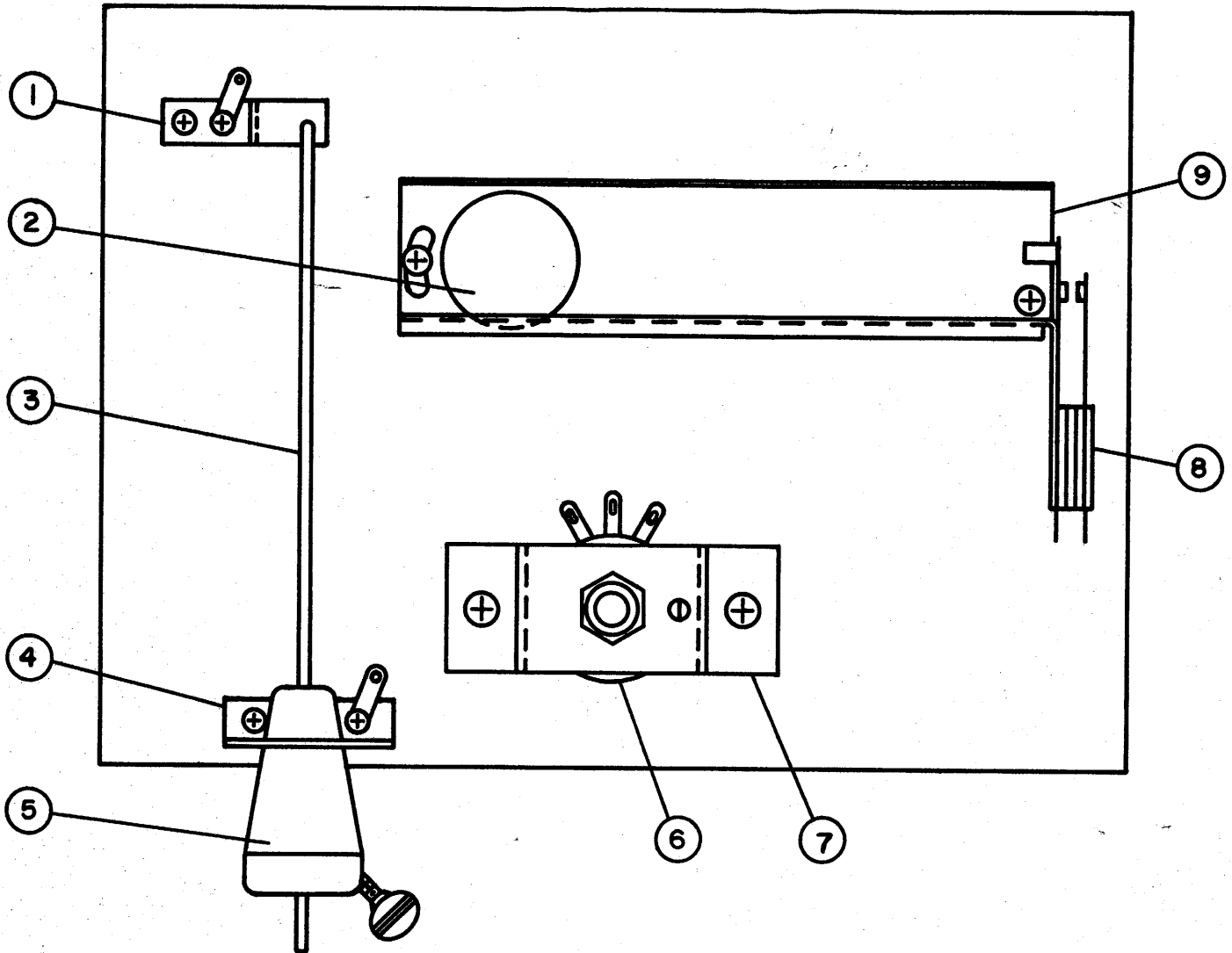
ISSUE

UNAPPROVED

DATE

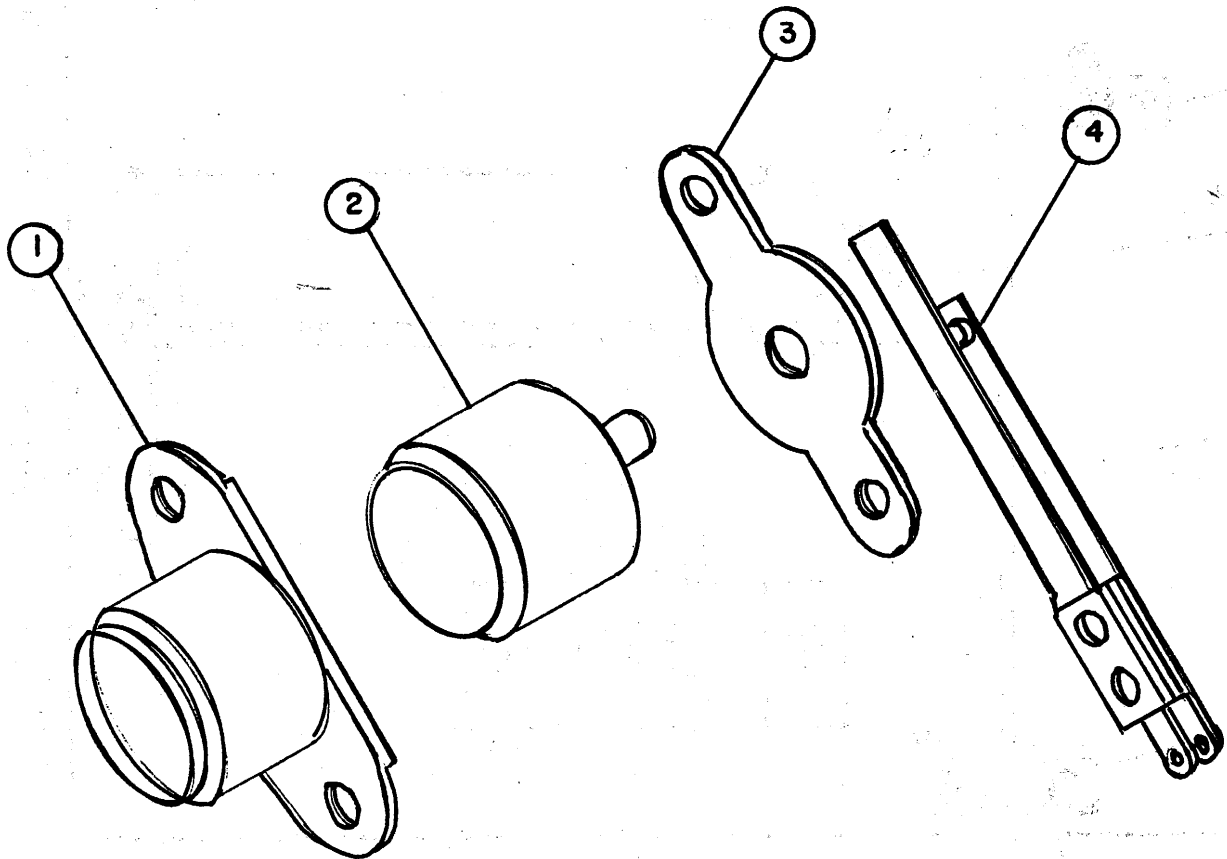
TILT BLOCK ASSEMBLY

10-10159A



<u>ITEM</u>	<u>PART NO.</u>	<u>DESCRIPTION</u>
1	04-40002A	TILT PLUMB BOB HANGER
2	07-40001N	STEEL BALL
3	06-00002A	TILT PLUMB BOB WIRE
4	04-40001A	TILT CONTACT PLATE
5	03-10001A	TILT PLUMB BOB
6	04-00438A	VOLUME CONTROL MTG. BRACKET
7	27-00004N	VOLUME CONTROL
8	22-00003N	SWITCH
9	04-00027B	ROLL TILT CAGE

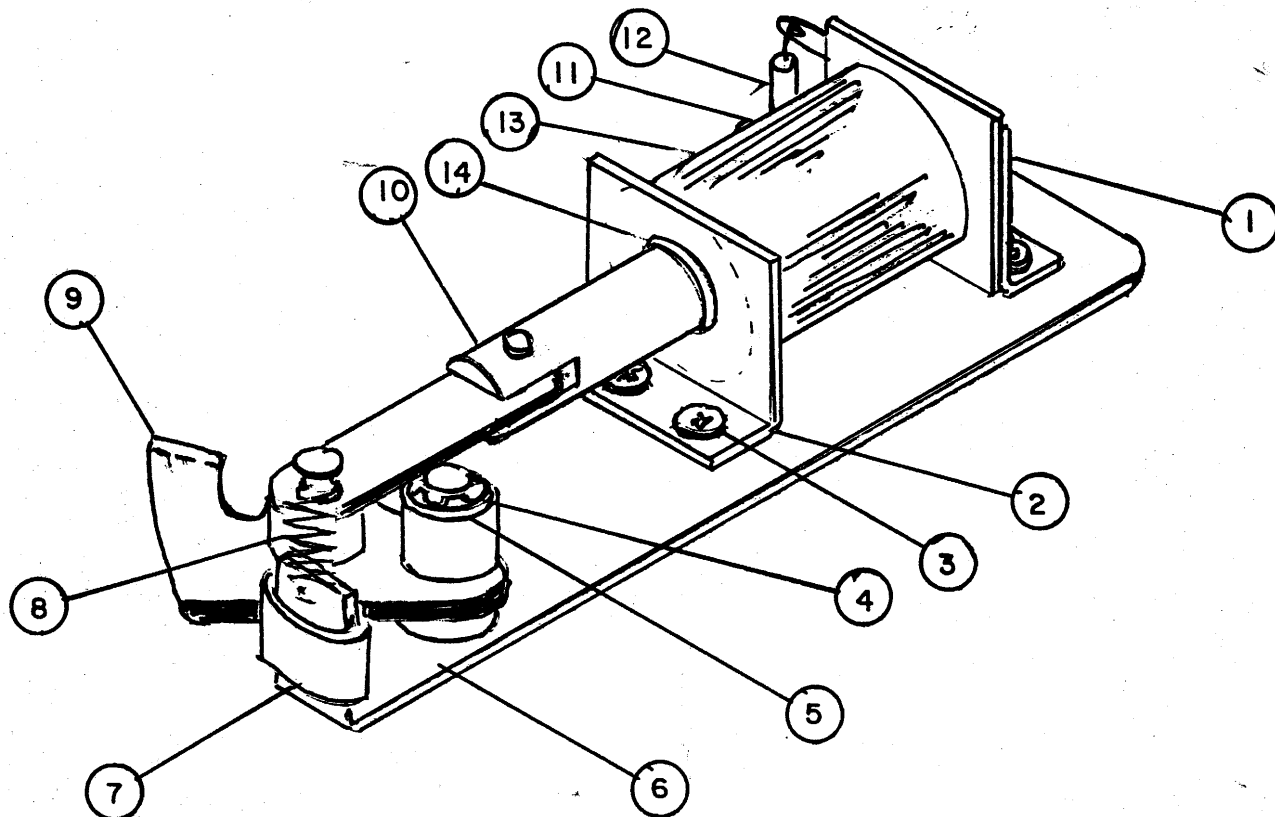
FLIPPER BUTTON



<u>ITEM</u>	<u>PART NO.</u>	<u>DESCRIPTION</u>	
1	03-40014N	FLIPPER BUTTON HOUSING	} 10-10044
2	03-40013N	FLIPPER BUTTON	
3	04-00019A	FLIPPER BUTTON PLATE	
4	22-00009N	FLIPPER SWITCH	

BALL KICKOUT ASSEM.

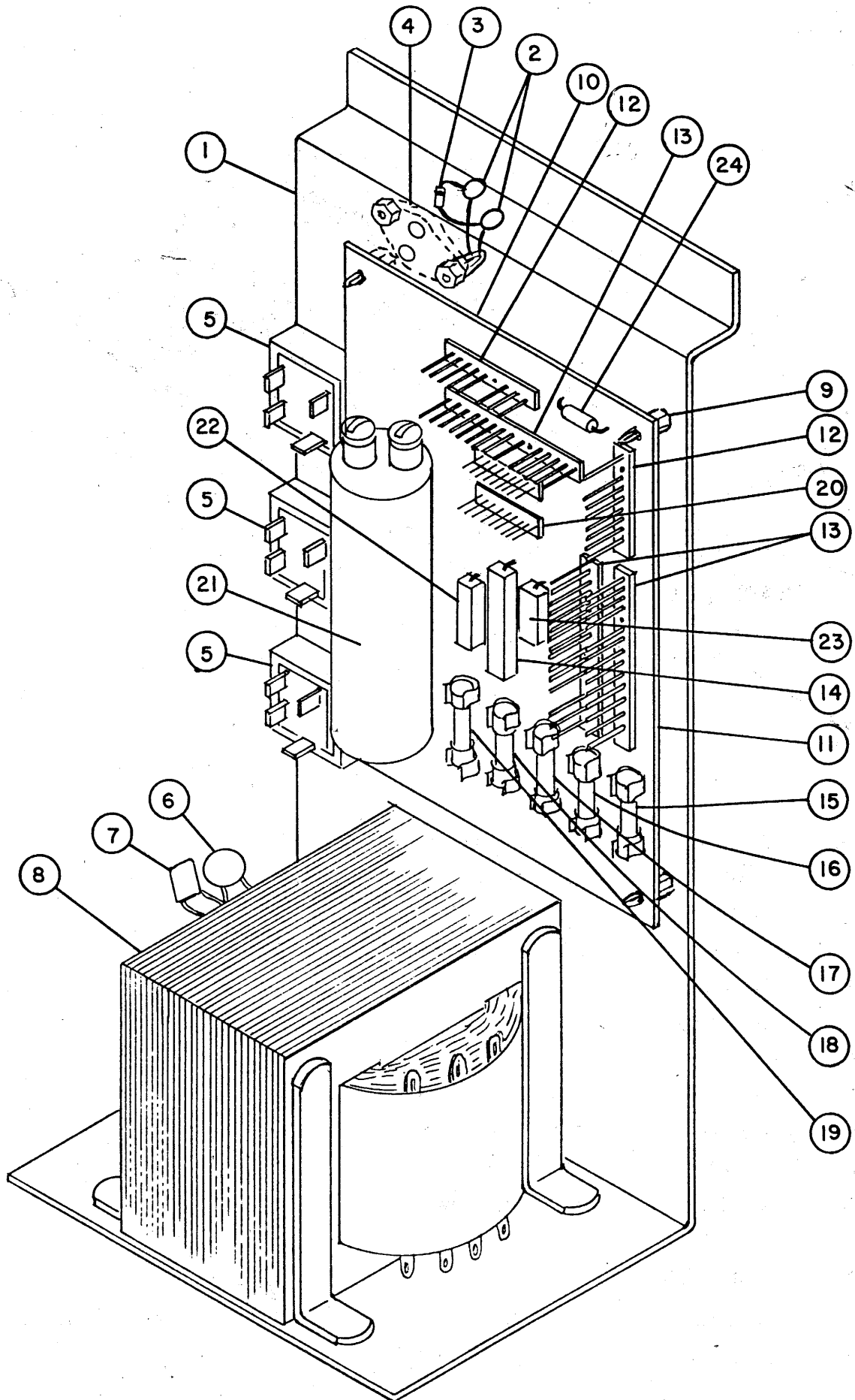
10-10007B



<u>ITEM</u>	<u>PART NO.</u>	<u>DESCRIPTION</u>
1	10-00009A	PLUNGER STOP ASSEM.
2	04-00052A	FRONT COIL STOP
3	11-40003N	6-32 X 1-4 P.R.H.M.S. SEMS
4	17-10001A	"E" RING
5	13-00001A	BRASS WASHER
6	10-00001A	MTG. PLATE ASSEM.
7	32-10001A	BALL KICKOUT BUMPER
8	06-20002A	SPRING
9	10-00002A	CAM ARM ASSEM.
10	10-10008A	KICKOUT PLUNGER ASSEM.
11	21-50005B	SOLENOID
12	25-00001N	IN4004 DIODE
13	10-10045N	SOLENOID ASSEM. INCLUDES ITEMS 11,12,14
14	03-40008A	SOLENOID TUBE

PSU-1 POWER SUPPLY UNIT

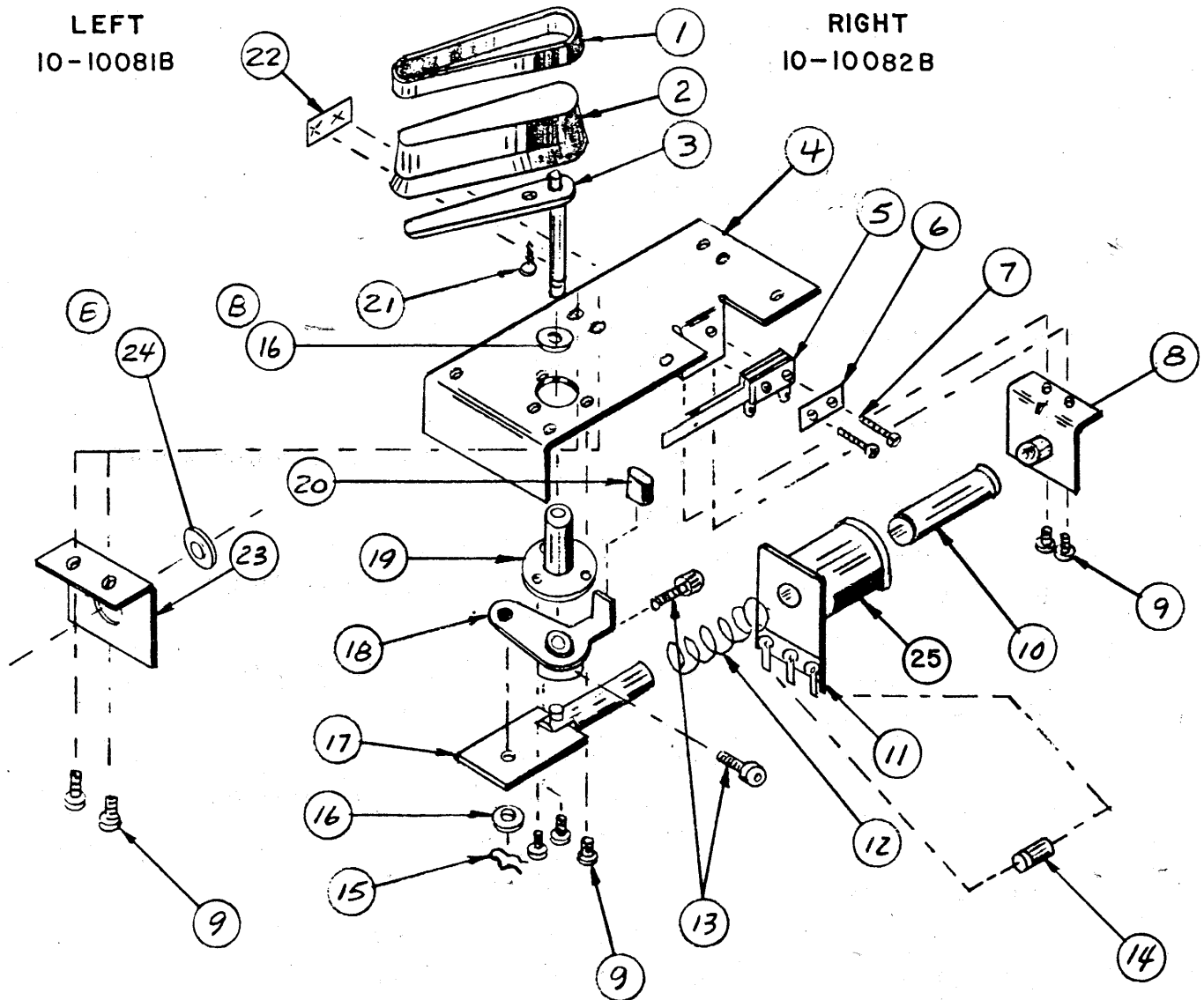
10-10075C



PSU-I POWER SUPPLY UNIT
10-10075C

ITEM	PART NO.	DESCRIPTION
1	04-20020C	PSU MOUNTING BRACKET
2	24-30002N	10 MFD $\pm 10\%$, 16 V DIPPED TANTALUM CAP
3	25-00001N	IN4004 DIODE
4	26-50001N	LM323K VOLTAGE REGULATOR
5	25-00003N	25 AMP, 200 PIV BRIDGE RECTIFIER
6	25-90002N	50 VAC VARISTOR
7	24-20001N	.1 MFD $\pm 10\%$, 100 V MYLAR CAP
8	21-30003C	UNIVERSAL TRANSFORMER
9	17-30003N	BOARD SUPPORT
10	20-10013A	PSU-I P.C. BOARD ASS'Y. (INCLUDES ITEMS 11 THRU 24)
11	20-00011B	P.C. BOARD
12	29-00007N	SL-156 HEADER (9 PIN)
13	29-00004N	SL-156 HEADER (15 PIN)
14	23-50001N	5 OHM $\pm 10\%$, 10 WATT RESISTOR
15	30-00006N	20 AMP, 32 V FUSE
16	30-00004N	10 AMP, 125 V FUSE
17	30-00005N	15 AMP, 32 V FUSE
18	30-00002N	5AMP, 125 V 3 AG FUSE
19	30-00003N	3 AMP, 125 V 3 AG SLO-BLO FUSE
20	29-00001N	CIS HEADER (9 PIN)
21	24-10005N	11,000 MFD, 25 V LYTIC
22	23-40001N	.47 OHM $\pm 10\%$, 5 WATT RESISTOR
23	23-40002	700 OHM $\pm 10\%$, 5 WATT RESISTOR
24	23-20002N	100 OHM, $\pm 5\%$, 1 WATT RESISTOR

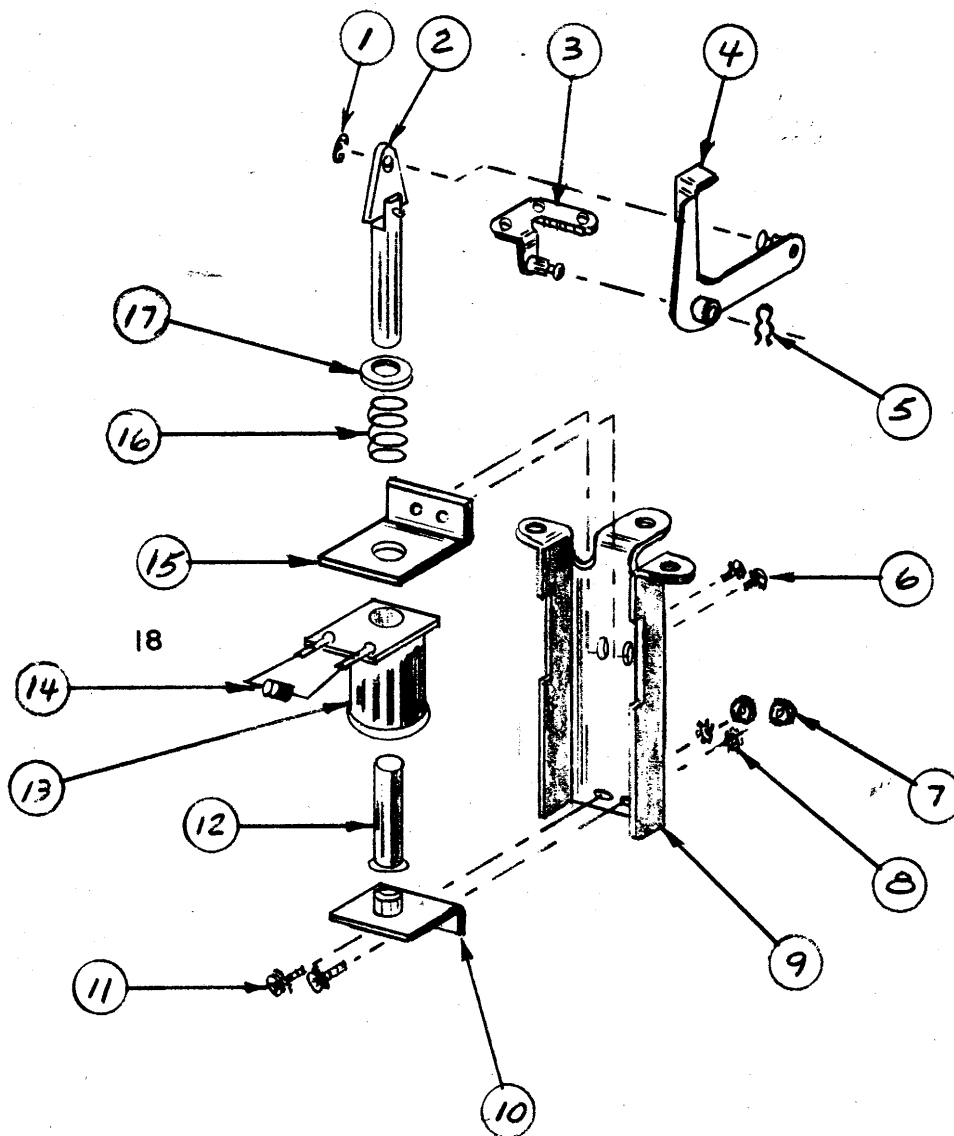
LEFT-RIGHT FLIPPER ASSEM.



<u>ITEM</u>	<u>PART NO.</u>	<u>DESCRIPTION</u>	<u>ITEM</u>	<u>PART NO.</u>	<u>DESCRIPTION</u>
1	08-3000IN	FLIPPER RUBBER	13	11-2000IN	10/32 SOC.HD.SET SCREW
2	03-40009N	FLIPPER	14	25-0000IN	IN 4004 DIODE
3	10-00010A	FLIPPER SHOE ASS'Y	15	17-2000IA	SPRING CLIP
* 4	04-00030C	LEFT FLIPPER MTG. PL.	16	13-0000IA	BRASS WASHER
5	22-00002N	FLIPPER BREAK SW.	17	10-10002A	FLIPPER PLUNGER ASS'Y
6	17-90001N	TENSION PLATE	18	10-0001IA	LEFT FLIPPER ARM ASS'Y
7	11-10019 N	NO.4X5/8S.R.H.S.M.S.TYPE'B'	"	10-00012A	RIGHT " " "
8	10-00009A	PLUNGER STOP ASS'Y	19	03-4000IA	FLIPPER BUSHING
9	11-40003N	6/32X1/4PR.H.M.S.SEMS	20	32-10002A	INSULATOR
10	03-40022N	SOLENOID TUBE	21	11-10002N	6/32X1/2 P. TRUSS HD.
11	21-50008B	SOLENOID	22	12-20002N	SPEED NUT
12	06-30004A	PLUNGER RETURN SP.	23	04-00052A	FRONT COIL STOP
* 13	04-00031C	RIGHT FLIPPER PLATE	24	13-00009N	CURVED SPRING WASHER
25	10-10085N	SOLENOID ASS'Y. WITH DIODE PLUS ITEMS 10-11			

SLING SHOT ASSEM.

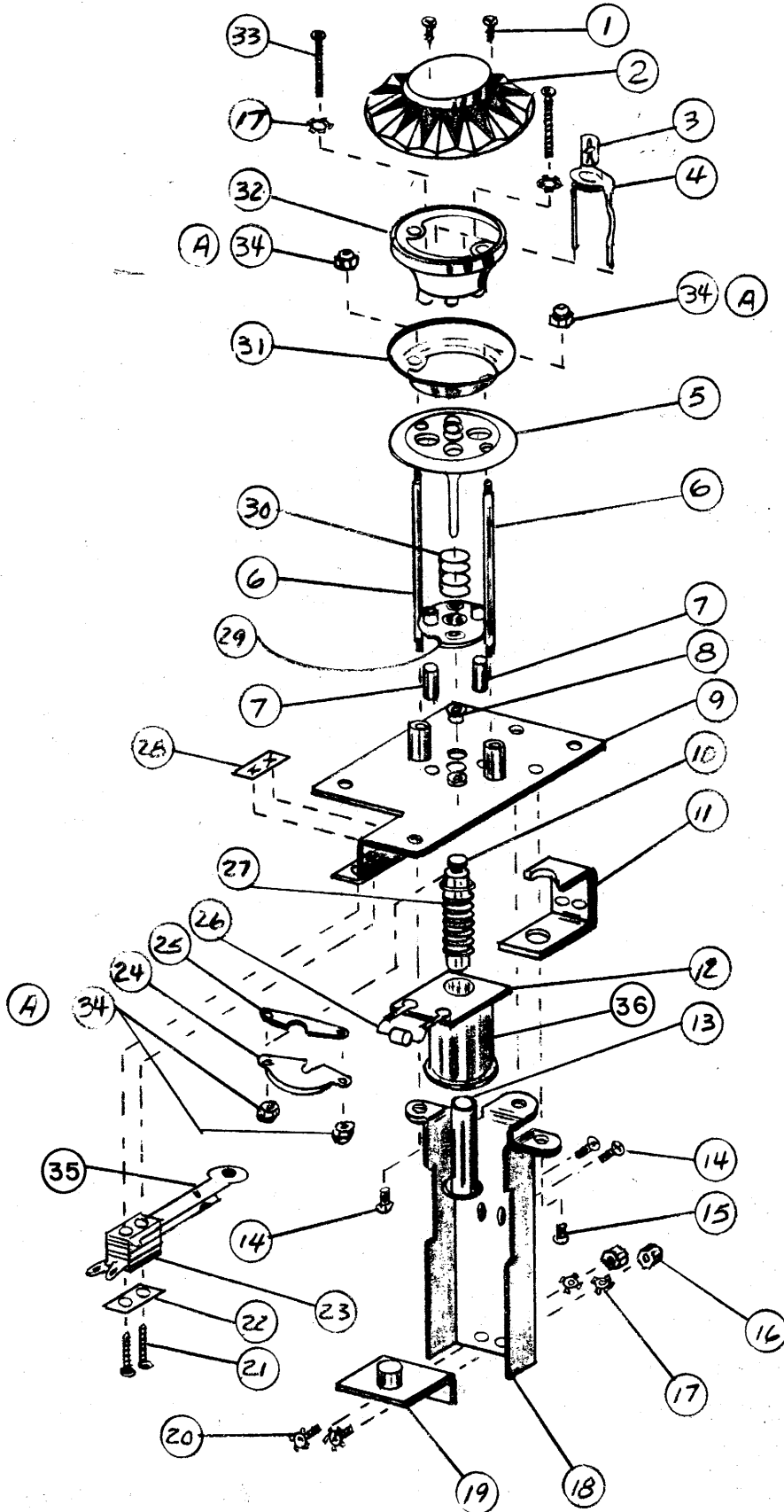
10-10009B



<u>ITEM</u>	<u>PART NO.</u>	<u>DESCRIPTION</u>	<u>ITEM</u>	<u>PART NO.</u>	<u>DESCRIPTION</u>
1	17-10003A	"E" RING	10	10-00009A	PLUNGER STOP BRK'T
2	10-10001A	PLUNGER-LINK ASS'Y	11	11-40004N	6/32 x 3/8 P.R. HD. SEM
3	10-00005A	ARM MTG. BRK'T ASS'Y	12	03-40008N	SOLENOID TUBE
4	10-00006A	SLING SHOT ARM ASS'Y	13	21-50001B	SOLENOID
5	17-20001A	SPRING CLIP	14	25-00001N	IN4004 DIODE
6	11-40003N	6/32 x 1/4 P.R. HD. SEMS	15	04-00008A	COIL SUPPORT BRK'T
7	12-00002N	6/32 HEX NUT	16	06-30004A	PLUNGER RETURN SPRING
8	13-10002N	NO. 6 EXT. T. LOCKWASHER	17	13-00003A	STEEL WASHER
9	04-00026B	COIL MTG. BRK'T	18	10-10039N	SOLENOID ASS'Y INCL. ITEMS 12-12-14

POWER BUMPER

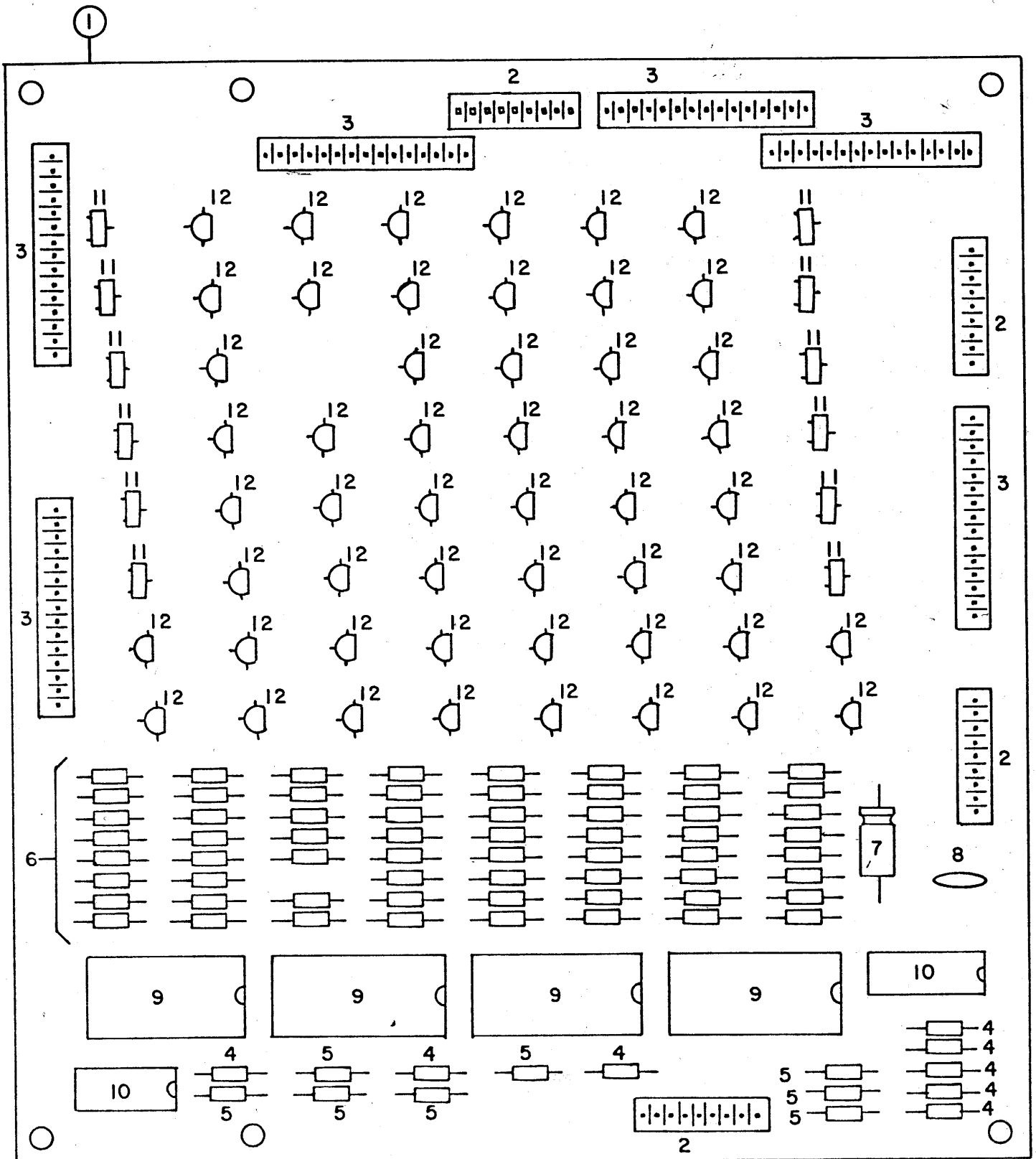
10-10004B



POWER BUMPER ASSEM.

<u>ITEM</u>	<u>PART NO.</u>	<u>DESCRIPTION</u>
1	11-10001N	NO.4X1/2 P.R.HD. S.M.S.
2	03-40003N	SUNBURST CAP
3	31-00002N	NO. 44 LAMP
4	29-60001N	BUMPER LAMP SOCKET
5	03-40005N	WAFER
6	05-40001A	POWER BUMPER ROD
7	32-40002A	" " SPACER
8	32-40003A	SNAP BUSHING
9	10-00008A	BUMPER MTG. PLATE ASS'Y
10	05-70002A	POWER BUMPER PLUNGER
11	04-00011A	" " COIL STOP
12	21-50001B	SOLENOID
13	03-40008N	" TUBE
14	11-40003N	6/32X1/4 P.R.HD. M.S. SEMS
15	11-40002N	8/32X1/4 P.R.HD. M.S. SEMS
16	12-00002N	6/32 HEX NUT
17	13-10002N	NO.6 EXT. TOOTH LOCKWASHER
18	04-00026B	COIL MTG. BRK'T
19	10-00009A	PLUNGER STOP ASS'Y
20	11-40004A	6/32X3/8 P.R.HD. M.S. SEMS
22	17-90001A	TENSION PLATE
23	22-00001N	POWER BUMPER SWITCH
24	04-30003A	FIBER PLUNGER ARM
25	04-10002A	STAINLESS PLUNGER ARM
26	25-00001N	1N4004 DIODE
27	06-30005A	BUMPER PLUNGER RETURN SPRING
28	12-20002N	SPEED NUT
29	03-40006N	BUMPER BASE
30	06-30001A	POWER BUMPER SPRING
31	04-10001A	" " RING
32	03-40004N	" " BODY
33	11-40001N	6/32 X 1 1/4 P.R.HD. M.S.
34	12-10001N	6/32 ELASTIC STOP NUT
35	03-40007N	BUMPER SWITCH ACTUATOR
36	10-10046N	SOLENOID ASS'Y. INCLUDES ITEMS 12,13,26

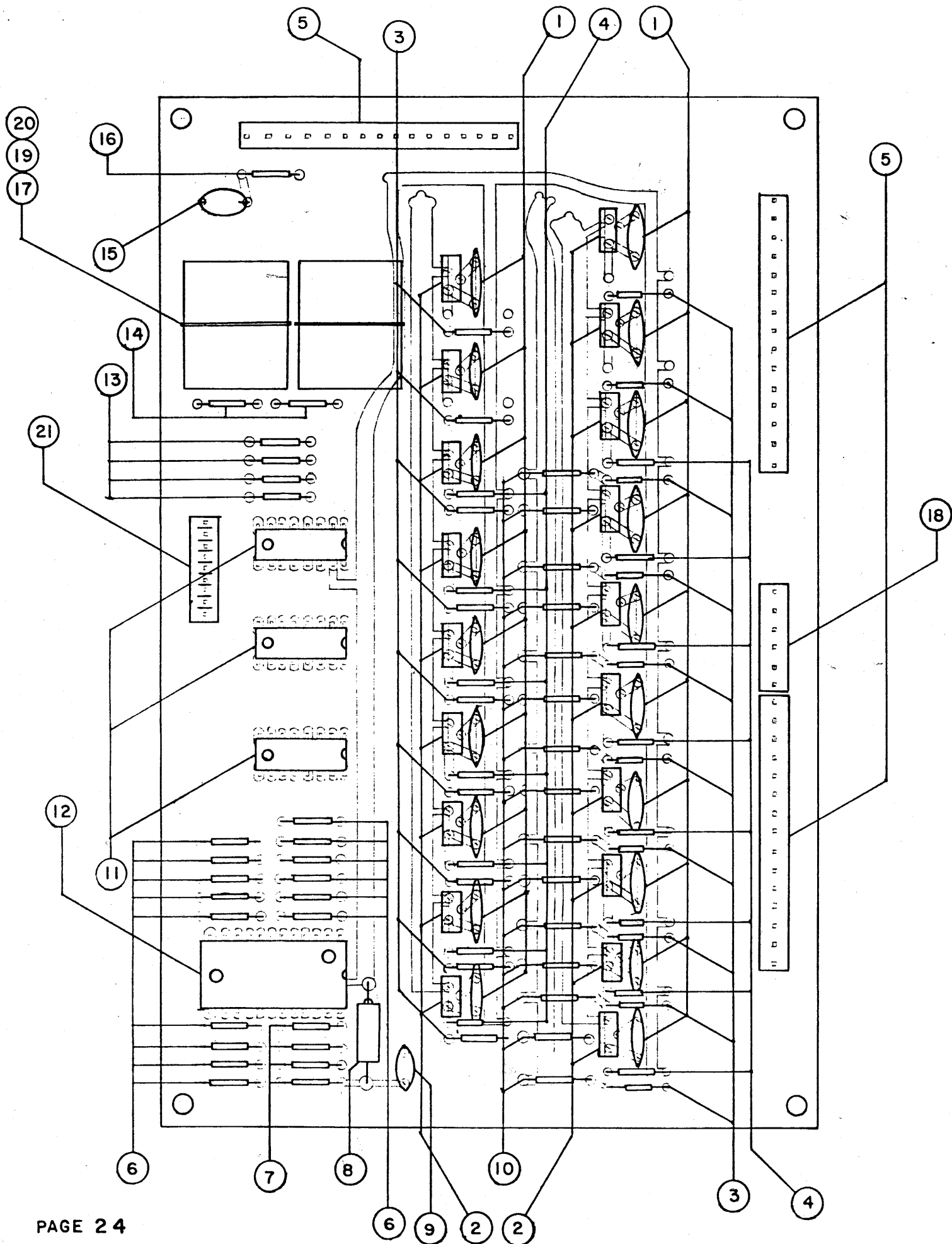
LDU-2 LAMP DRIVER UNIT



LDU-2 LAMP DRIVER UNIT
20-10012C

<u>ITEM</u>	<u>PART NO.</u>	<u>DESCRIPTION</u>
1	20-00010C	LDU-2 P.C. BOARD
2	29-00001N	CIS HEADER (9 PIN)
3	29-00002N	CIS HEADER (15 PIN)
4	23-00009N	2.2 M OHM \pm 5%, 1/4 WATT RESISTOR
5	23-00007N	22 K OHM \pm 5%, 1/4 WATT RESISTOR
6	23-00004N	2.2 K OHM \pm 5%, 1/4 WATT RESISTOR
7	24-10001N	10 MFD, 16 VOLT AXIAL LYTIC CAP
8	24-00001N	.01 MFD \pm 10% CERAMIC DISC CAP
9	26-10001N	4514 INTEGRATED CIRCUIT
10	26-10002N	4050 INTEGRATED CIRCUIT
11	25-20002N	MCR 106-1 SCR
12	25-20001N	2N5060 SCR

SDU-1- SOLENOID DRIVER

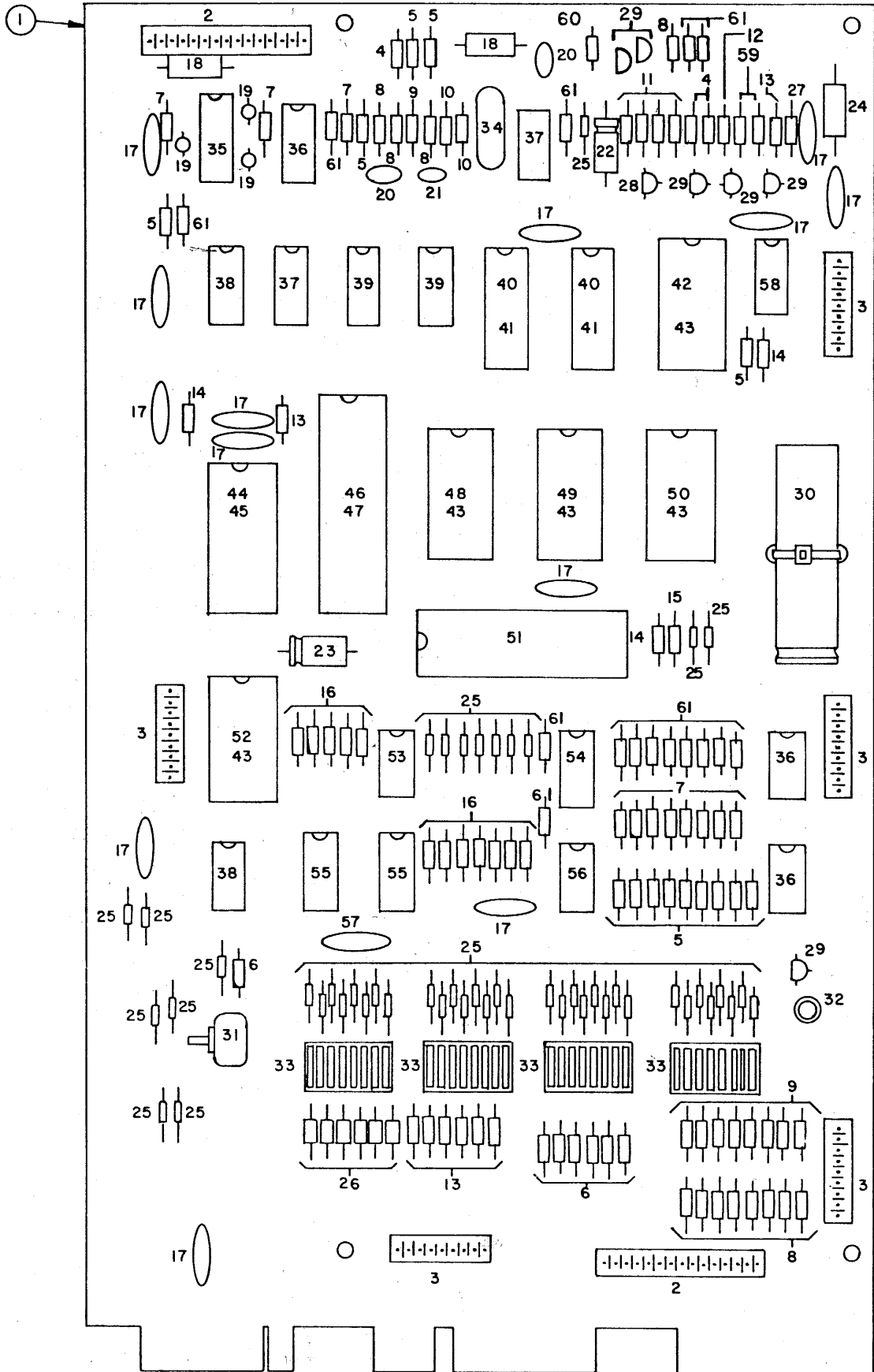


SDU - I — SOLENOID DRIVER

20-10002B

<u>ITEM</u>	<u>PART NO.</u>	<u>DESCRIPTION</u>
1	24-00002N	.002mfd. $\pm 10\%$, 1KV. CERAMIC DISC CAP
2	25-10002N	RCA 121 OR SE 9301 TRANSISTOR
3	25-00001N	1N4004 DIODE
4	23-00002N	330 ohm $\pm 5\%$, 1/4 WATT RESISTOR
5	29-00004N	15 PIN HEADER
6	23-00003N	1.2 K ohm $\pm 5\%$, 1/4 WATT RESISTOR
7	23-00008N	100K ohm $\pm 5\%$, 1/4 WATT RESISTOR
8	24-10001N	10mfd. 16 VOLT AXIAL LYTIC CAP
9	24-00001N	.01mfd. $\pm 10\%$, 50 VOLT CERAMIC DISC CAP
10	23-10001N	470 ohm $\pm 5\%$, 1/2 WATT RESISTOR
11	26-00005N	CA3081 OR ULN2081 I.C.
12	26-00004N	74154 INTEGRATED CIRCUIT
13	23-00005N	4.7 K ohm $\pm 5\%$, 1/4 WATT RESISTOR
14	SEE 3	
15	24-20001N	.1mfd. $\pm 10\%$, 100 VOLT MYLAR CAP
16	23-00006N	100 ohm $\pm 5\%$, 1/4 WATT RESISTOR
17	21-00001N	4 PDT 24 VDC RELAY
18	29-00003N	6 PIN HEADER
19	29-50001N	RELAY SOCKET
20	06-90001N	RELAY HOLD DOWN SPRING
21	29-00001N	9 PIN HEADER

MPU-2 MICRO PROCESSOR UNIT
20-10016C



MPU-2 MICRO PROCESSOR UNIT

<u>ITEM</u>	<u>PART NO.</u>	<u>DESCRIPTION</u>	<u>ITEM</u>	<u>PART NO.</u>	<u>DESCRIPTION</u>
1	20-00029C	MPU-2 P.C. Board	31	22-10003N	Pushbutton Switch
2	29-00002N	15 Pin Header	32	31-10001N	LED
3	29-00001N	9 Pin Header	33	22-50001N	Dip Slide Switch
4	23-00020N	47K OHM $\frac{1}{4}$ W. Res.	34	21-90001N	Crystal (2.4576 MHZ)
5	23-00008N	100K OHM $\frac{1}{4}$ W. Res.	35	26-00011N	74LS123 I.C.
6	23-00006N	100 OHM $\frac{1}{4}$ W. Res.	36	26-60001N	LM339 I.C.
7	23-00016N	220K OHM $\frac{1}{4}$ W. Res.	37	26-00007N	74LS04 I.C.
8	23-00004N	2.2K OHM $\frac{1}{4}$ W. Res.	38	26-00006N	74LS00 I.C.
9	23-00013N	3.3 OHM $\frac{1}{4}$ W. Res.	39	26-00010N	74LS32 I.C.
10	23-00002N	330 OHM $\frac{1}{4}$ W. Res.	40	26-30001N	HM 6551-9 CMOS I.C.
11	23-00007N	22K OHM $\frac{1}{4}$ W. Res.	41	29-50005N	22 Pin I.C. Socket
12	23-00021N	120K OHM $\frac{1}{4}$ W. Res.	42	26-30010N	N Channel RAM, 6810
13	23-00011N	1K OHM $\frac{1}{4}$ W. Res.	43	29-50004N	24 Pin I.C. Socket
14	23-00005N	4.7K OHM $\frac{1}{4}$ W. Res.	44	26-40002N	Z-80 CTC
15	23-00010N	270 OHM $\frac{1}{4}$ W. Res.	45	29-50003N	28 Pin I.C. Socket
16	23-00012N	1.5K OHM $\frac{1}{4}$ W. Res.	46	26-40001N	Z-80 CPU
17	24-00005N	.1 MFD 25V Cer. Cap	47	29-50002N	40 Pin I.C. Socket
18	21-40002N	RF Choke	48	NOT USED	
19	24-30001N	1 MFD 35V Dip. Tan. Cap	49	29-30249	MODEL 770 "AB" ROM
20	24-00003N	.001 MFD 100V Cer. Cap	50	26-30250	MODEL 770 "C" ROM
21	24-00001N	220 PFD 100V Cer. Cap	51	26-40003N	8255 PIA
22	24-10001N	10 MFD, 16V AX. Lytic Cap	52	26-00004N	74154 I.C.
23	24-10004N	22 MFD, 16V AX. Lytic Cap	53	26-00009N	7417 I.C.
24	23-20002N	100 OHM 1 W. Res.	54	26-00012N	74LS138 I.C.
25	25-00002N	1N4148 Diode	55	26-00002N	74LS379 I.C.
26	25-00001N	1N4004 Diode	56	26-00008N	7416 I.C.
27	25-30003N	1N959B Zener Diode	57	24-00001N	.01 MFD 50V Cer. Cap
28	25-10003N	2N4403 Transistor	58	26-10004N	74C32 I.C.
29	25-10004N	2N3904 Transistor	59	23-00019N	8.2K OHM Res.
30	21-90002N	Battery (3.6V N1 CAD)	60	23-00024N	56K OHM Res.
			61	23-00015N	10K OHM Res.

MSU-1 MICRO SOUND UNIT 20-10055

