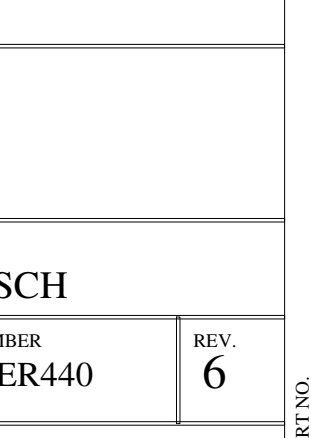
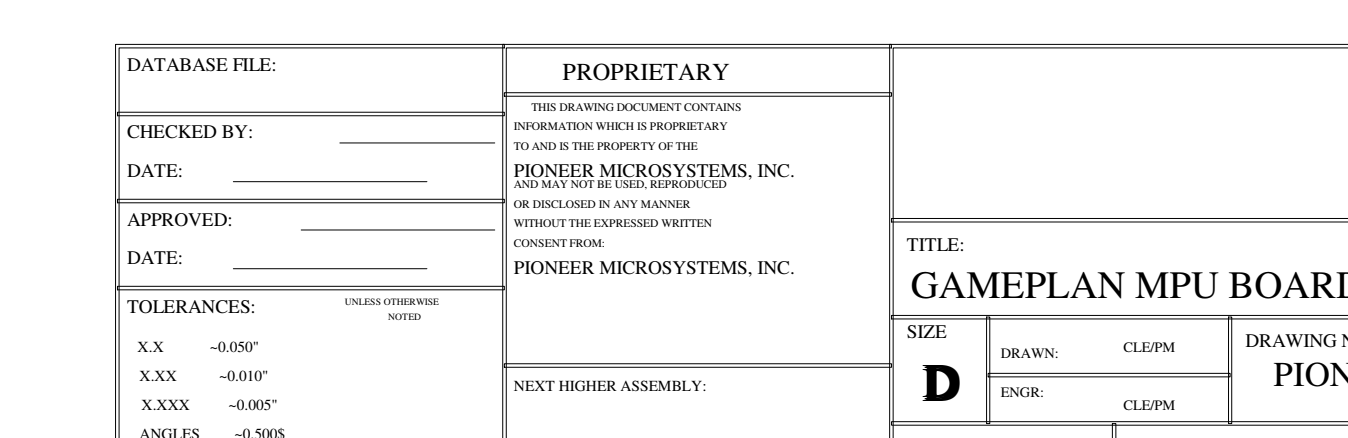
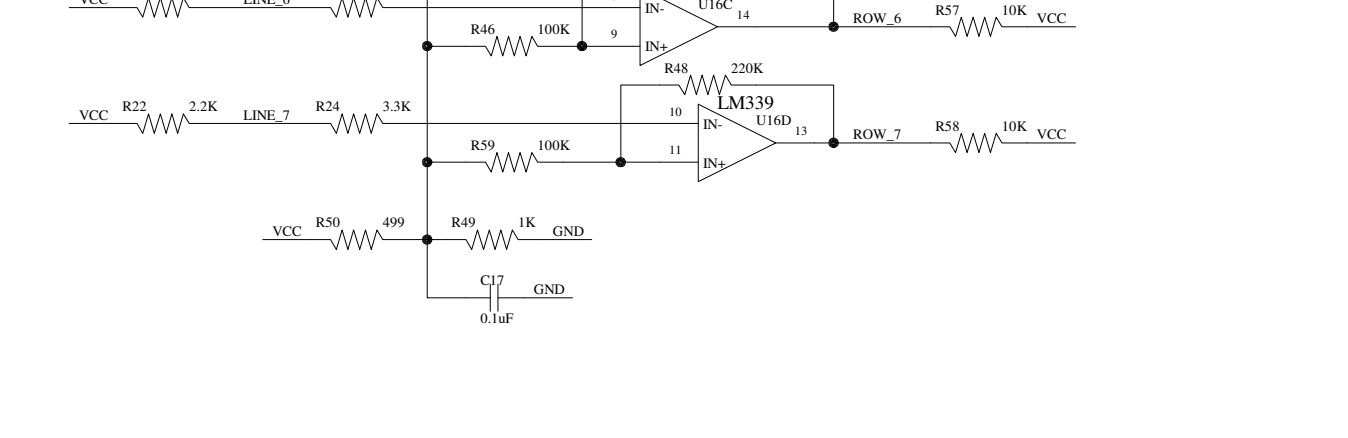
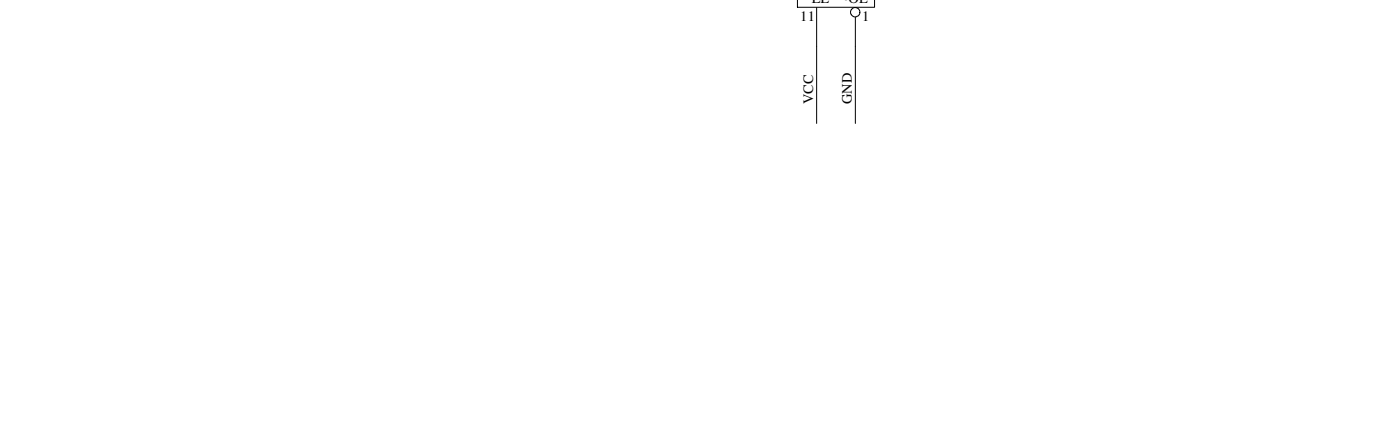
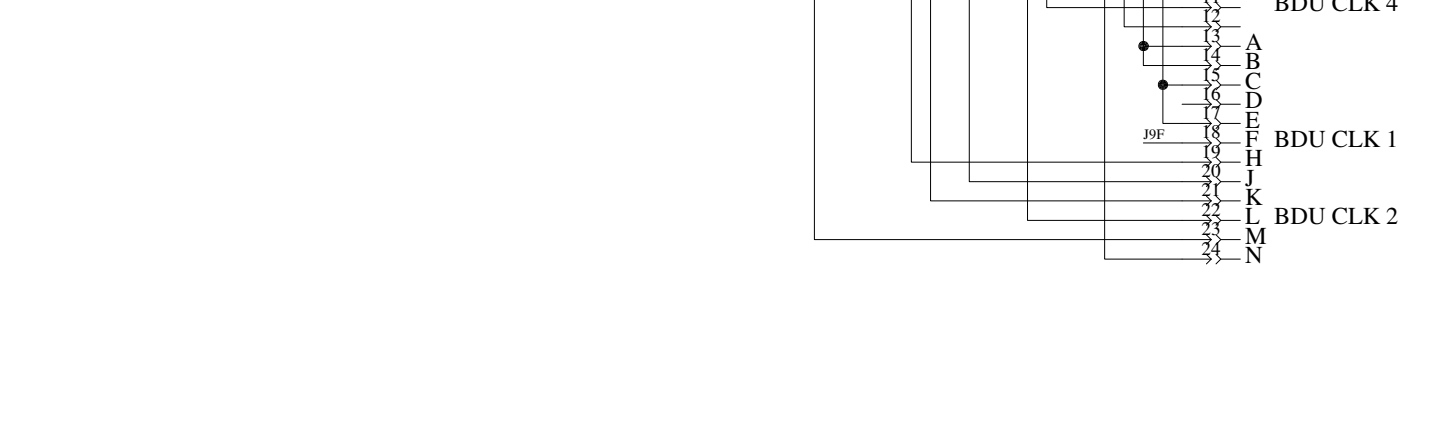
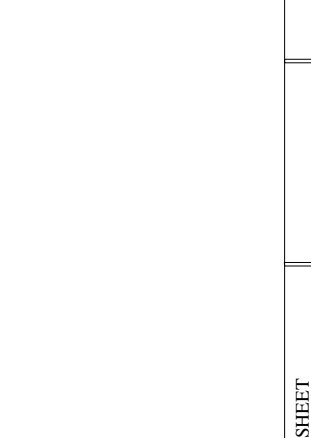
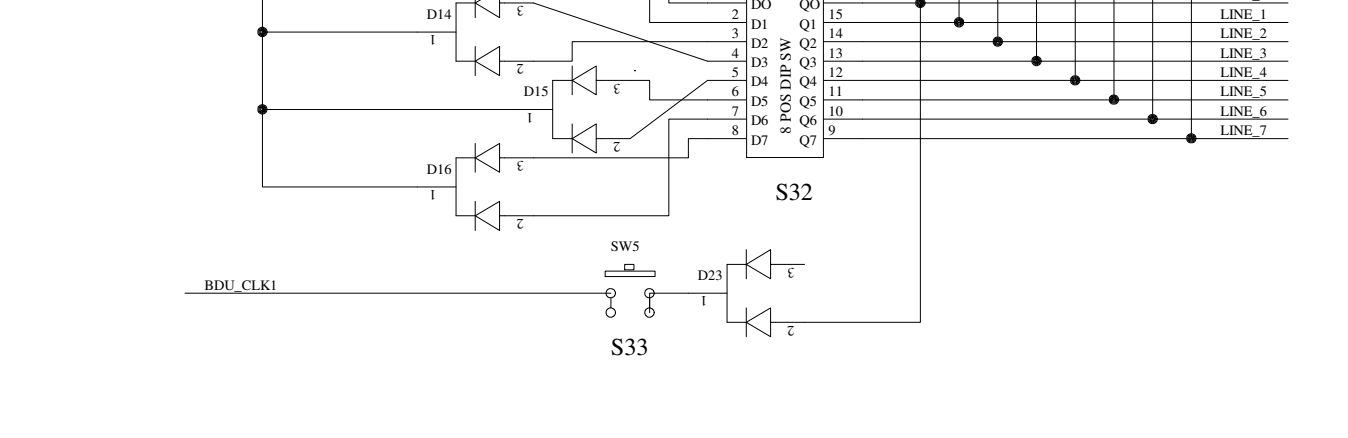
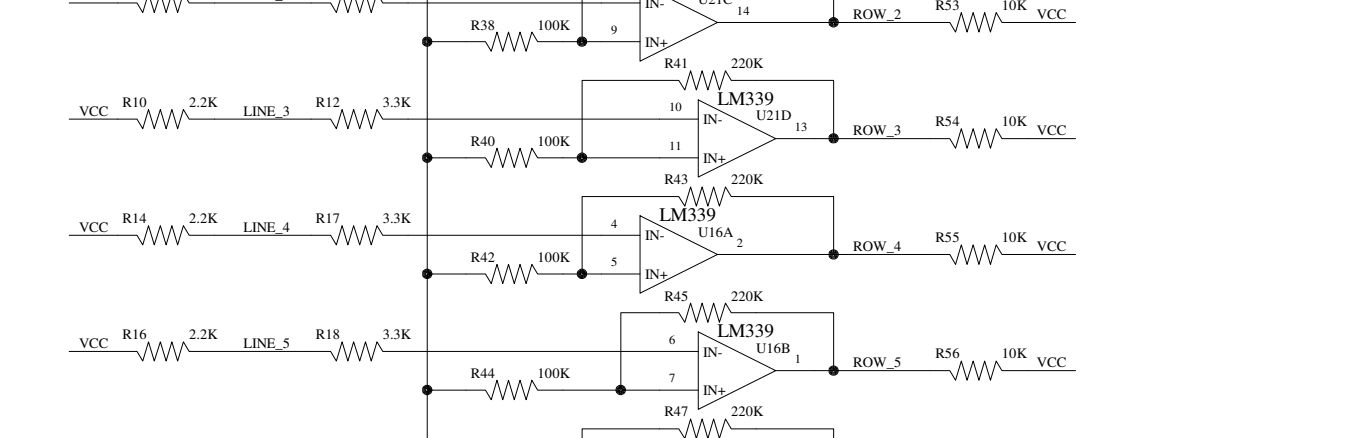
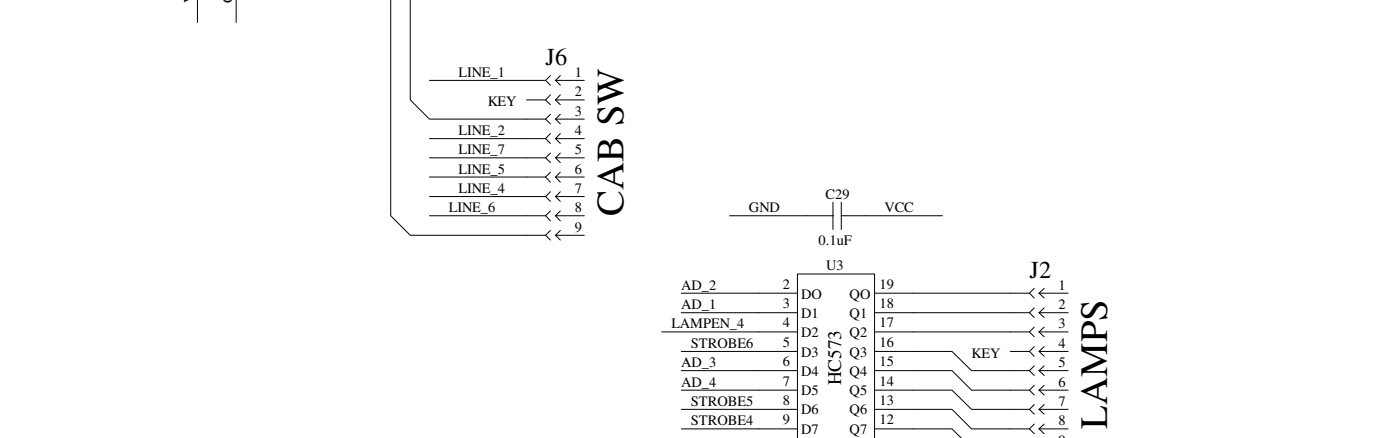
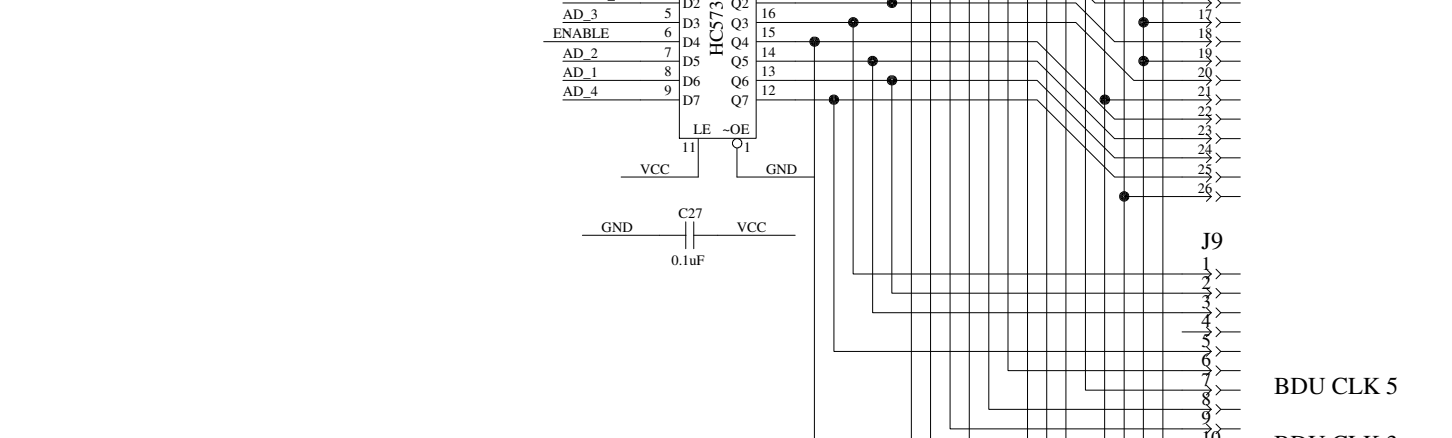
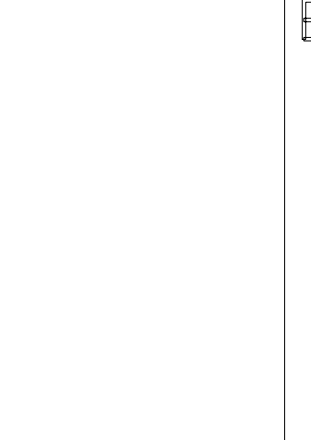
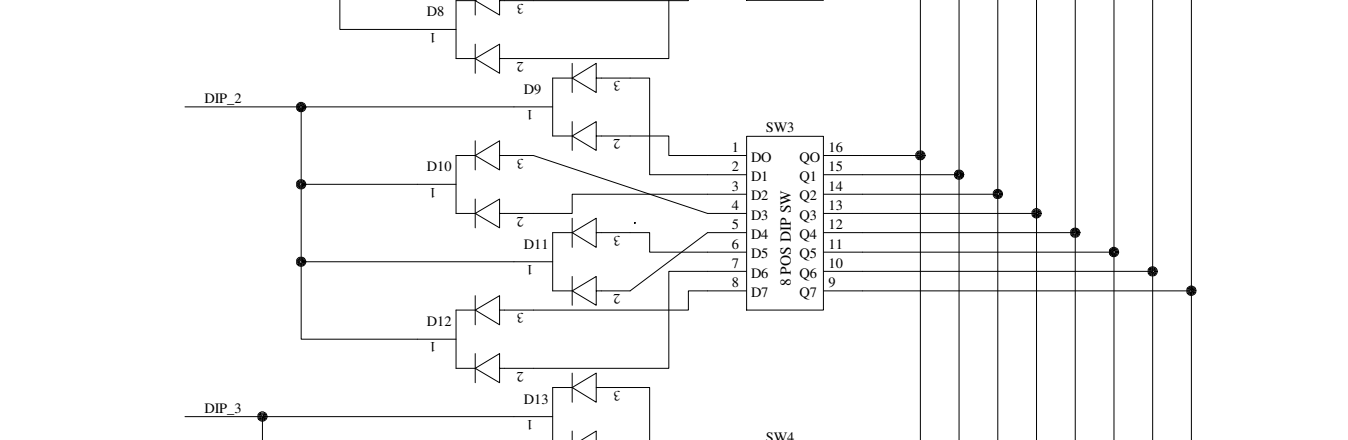
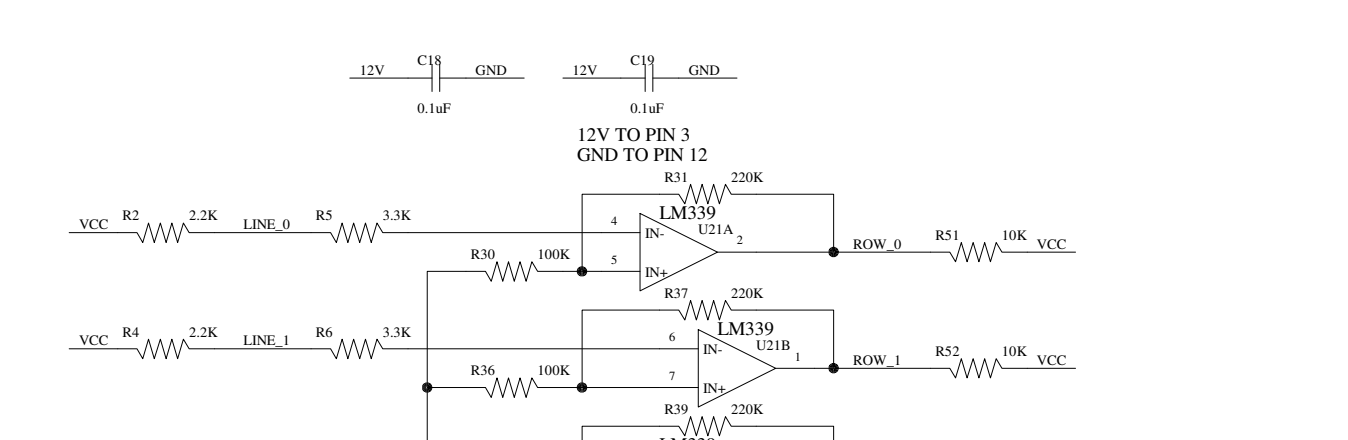
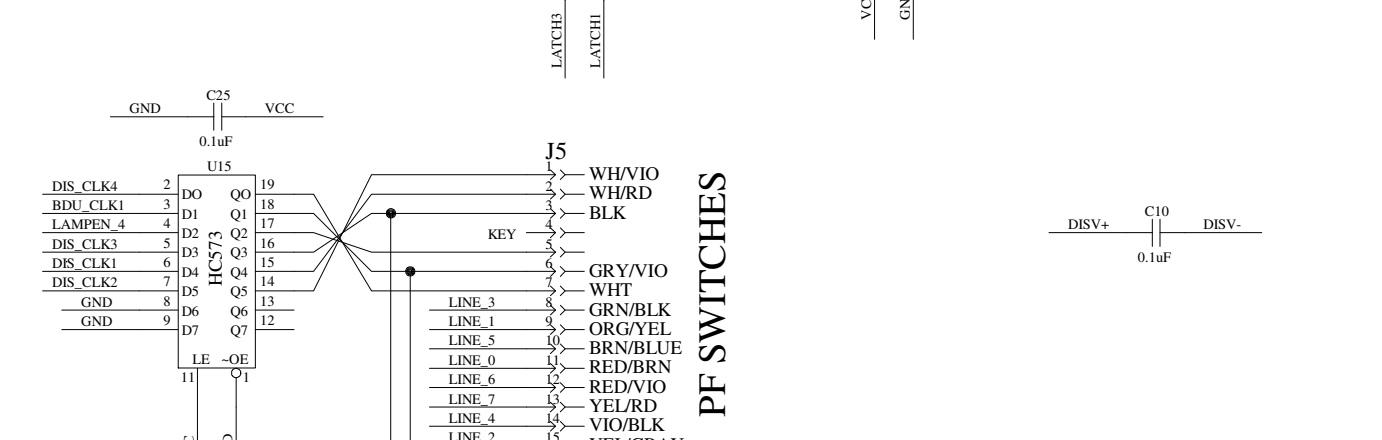
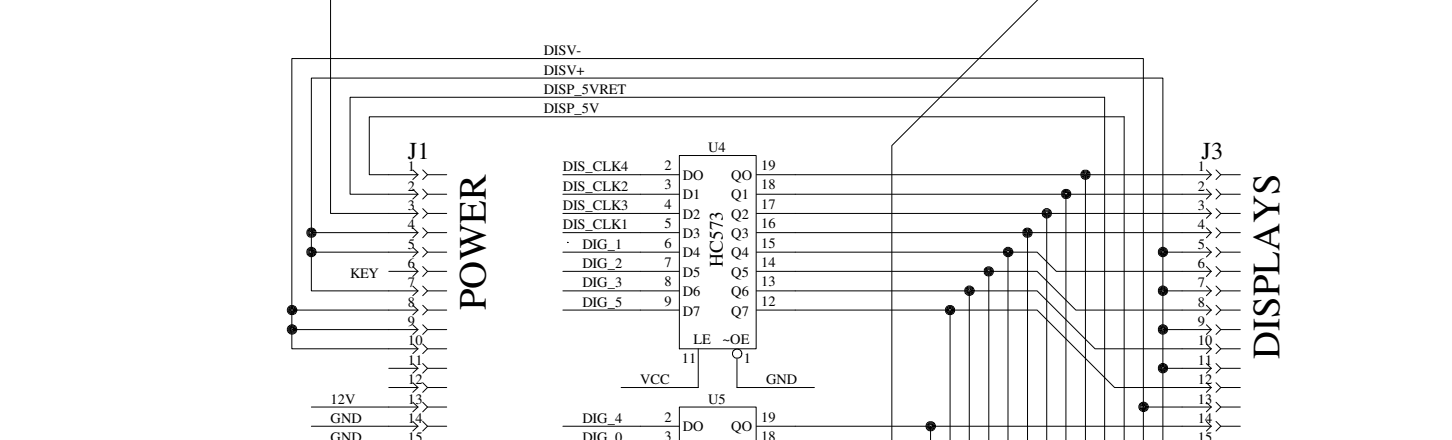
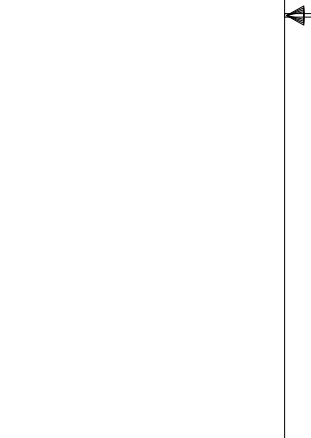
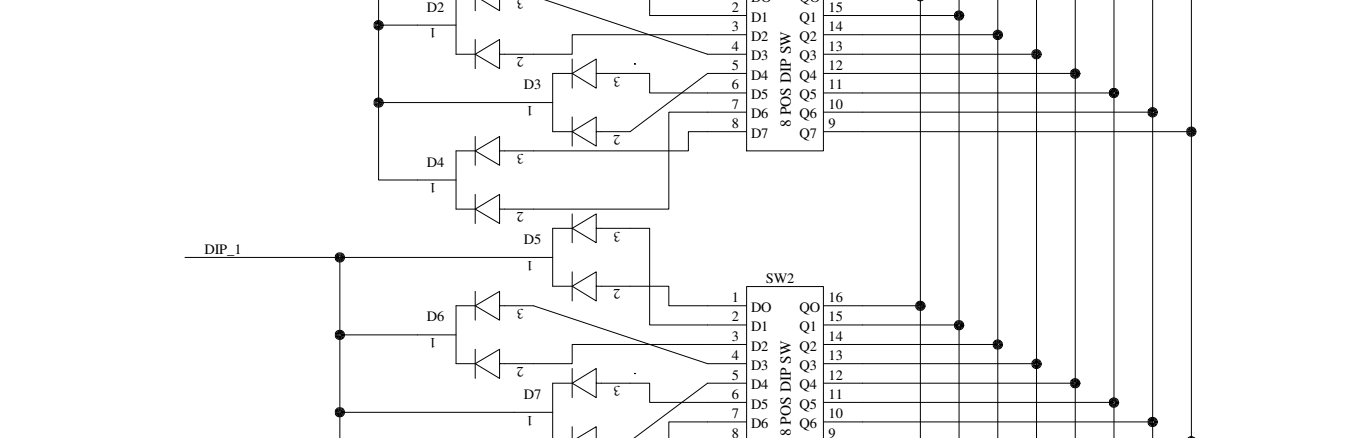
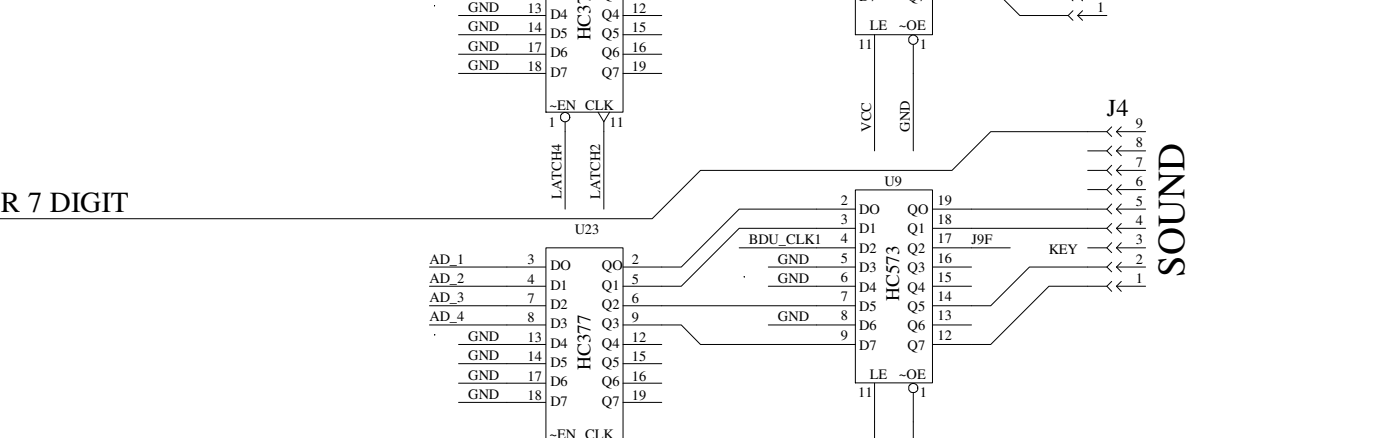
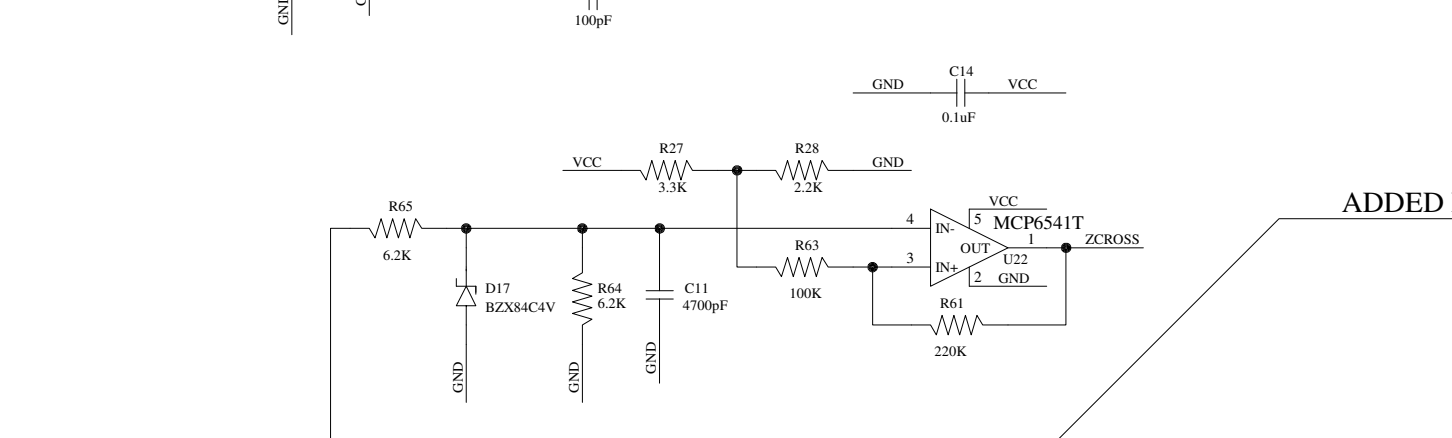
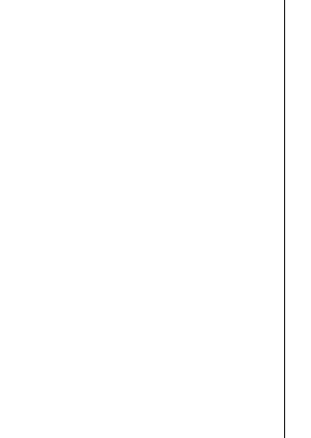
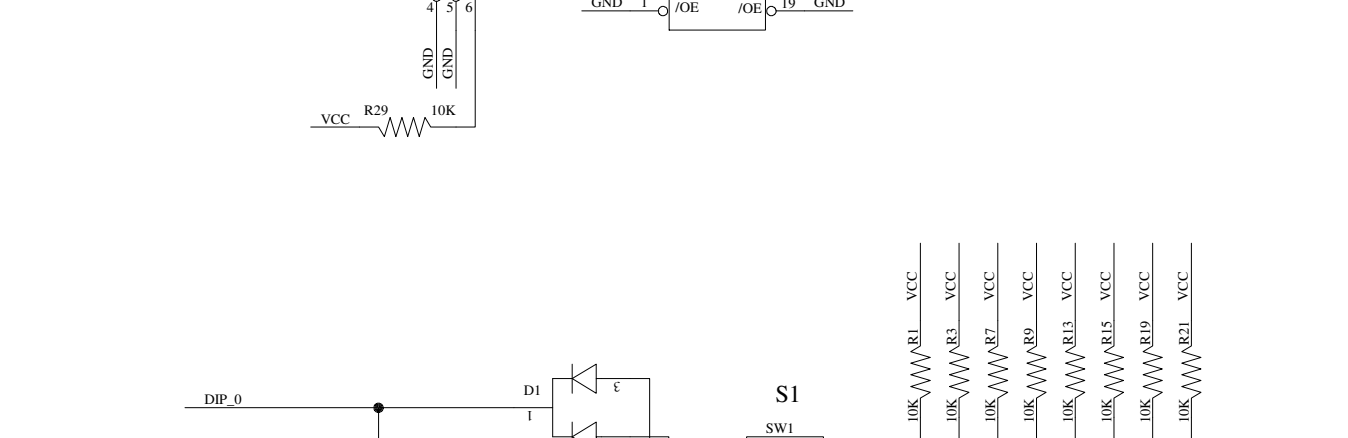
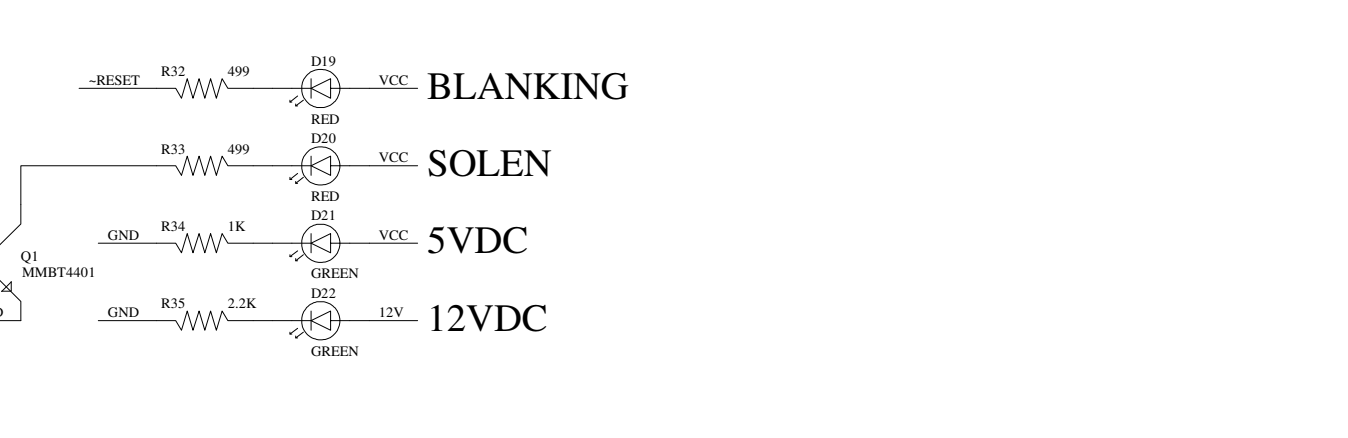
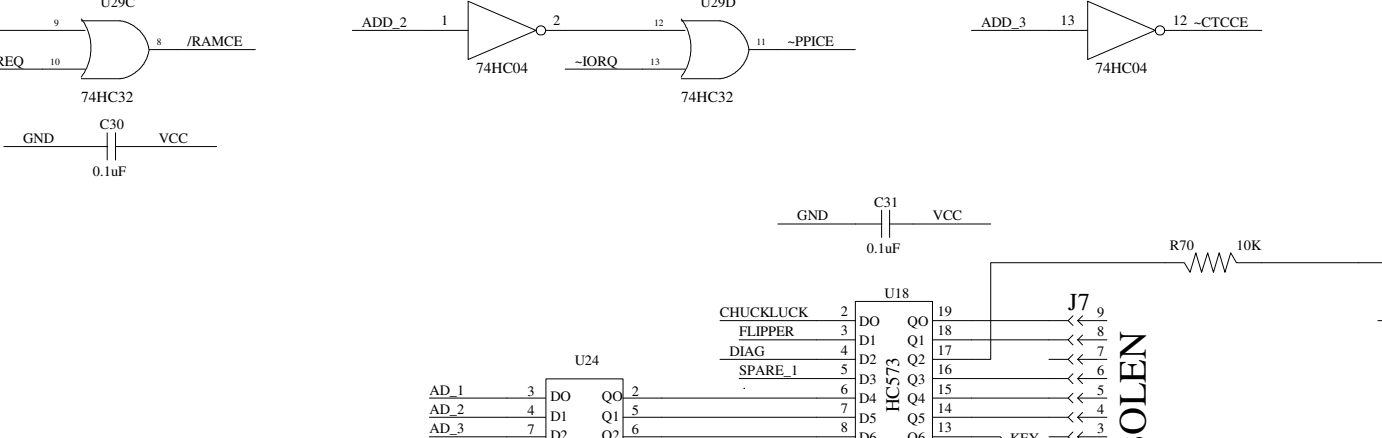
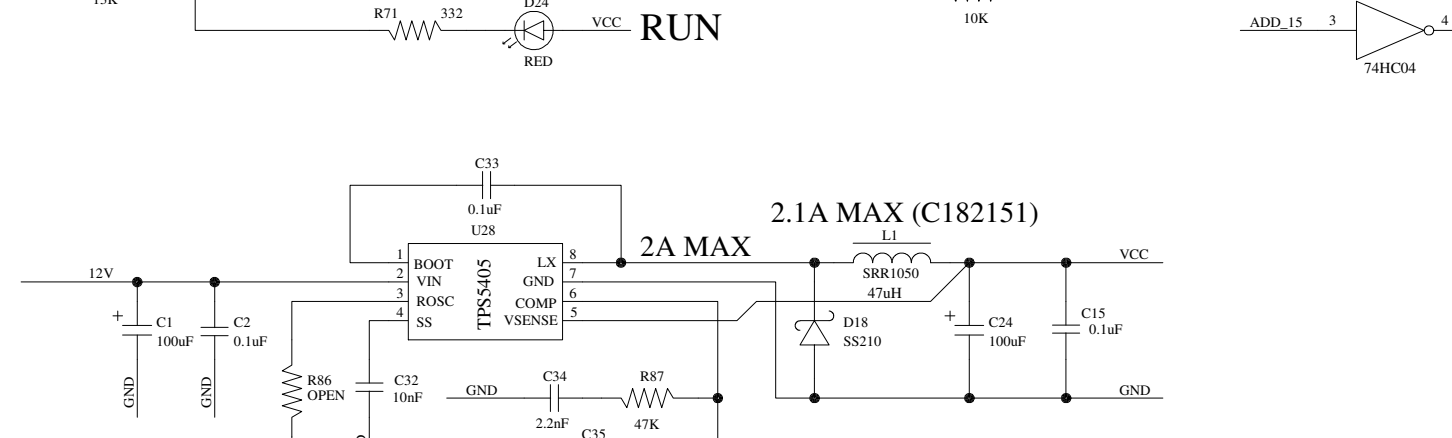
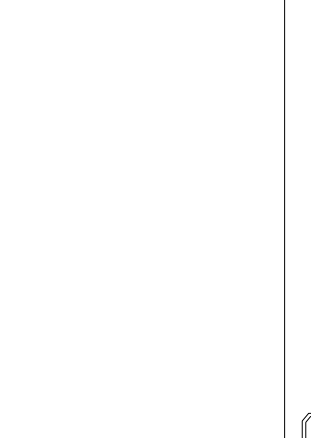
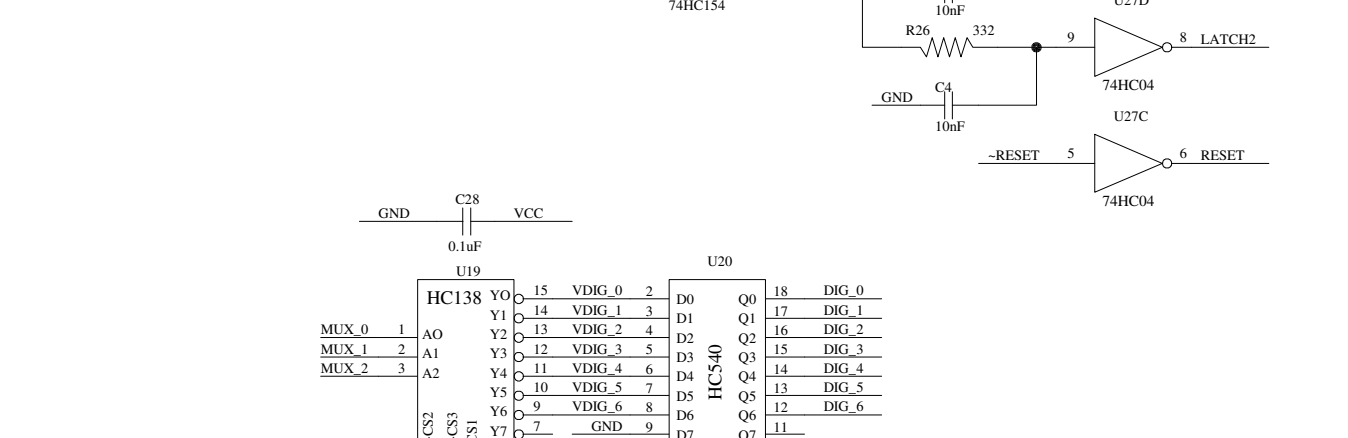
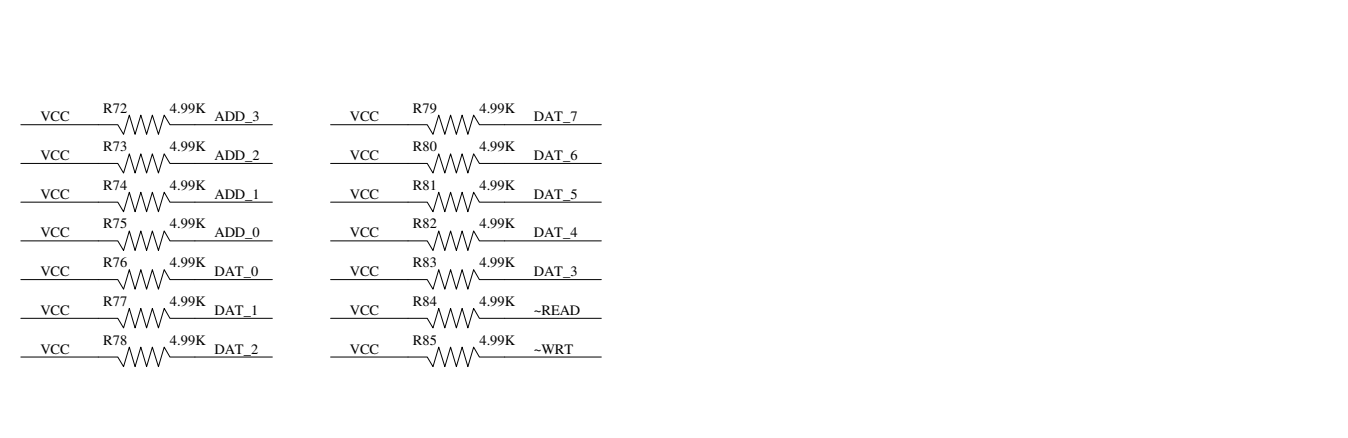
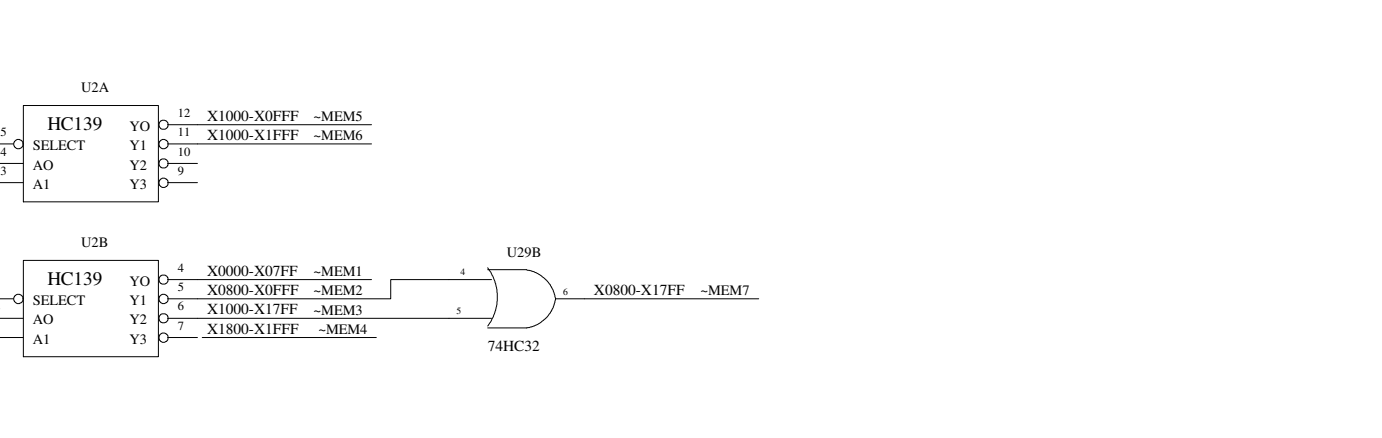
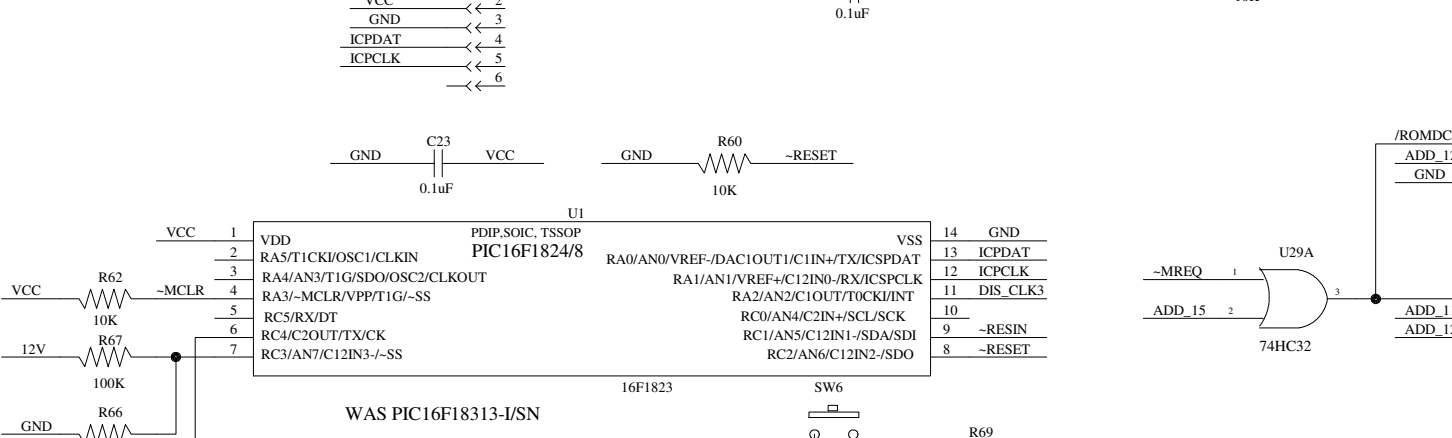
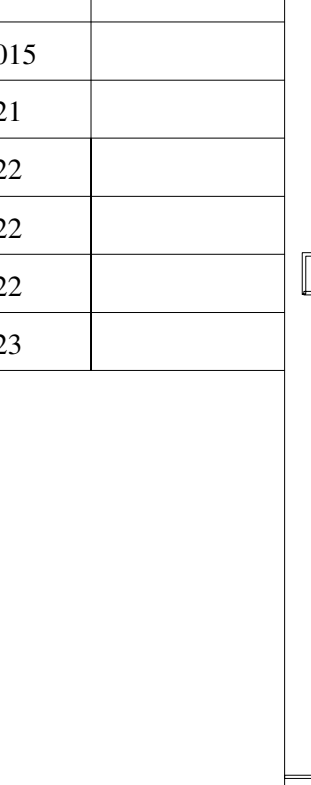
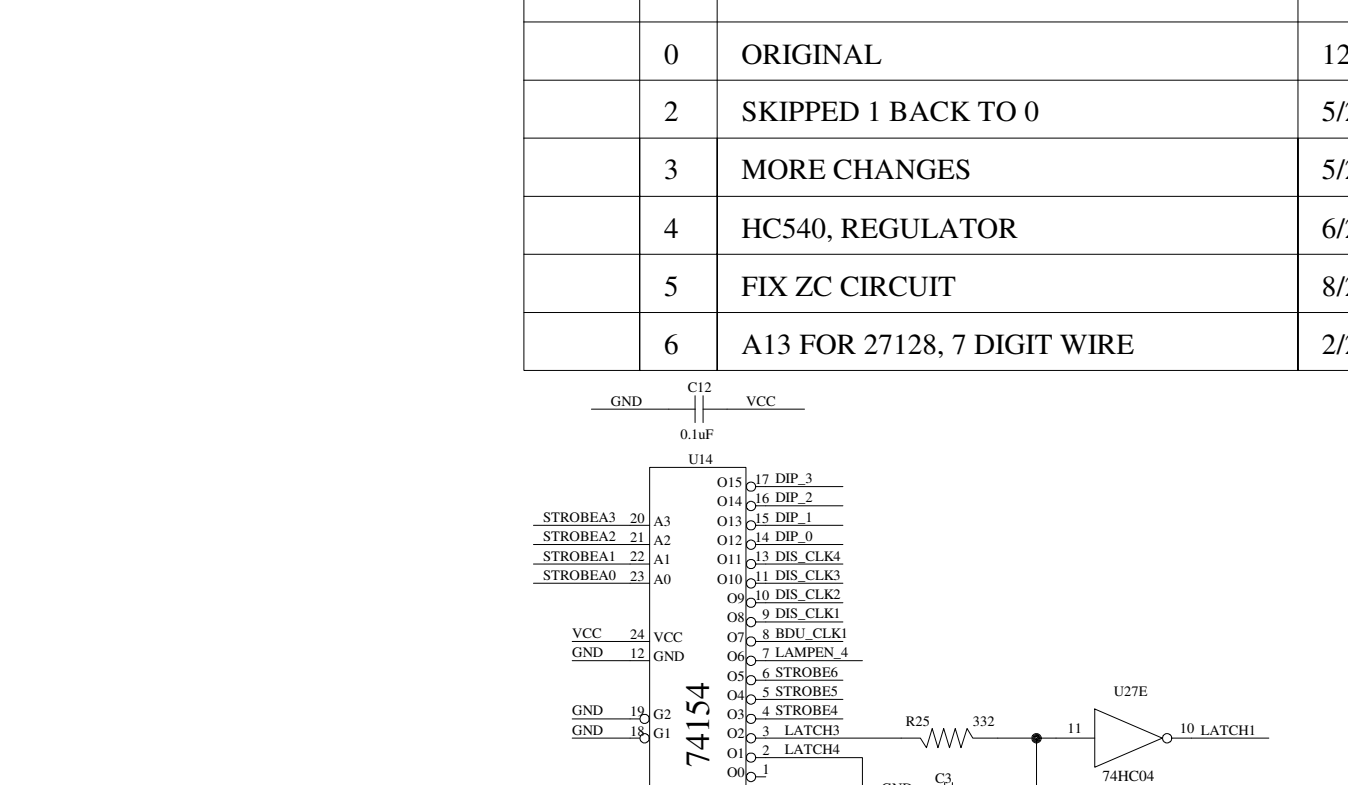
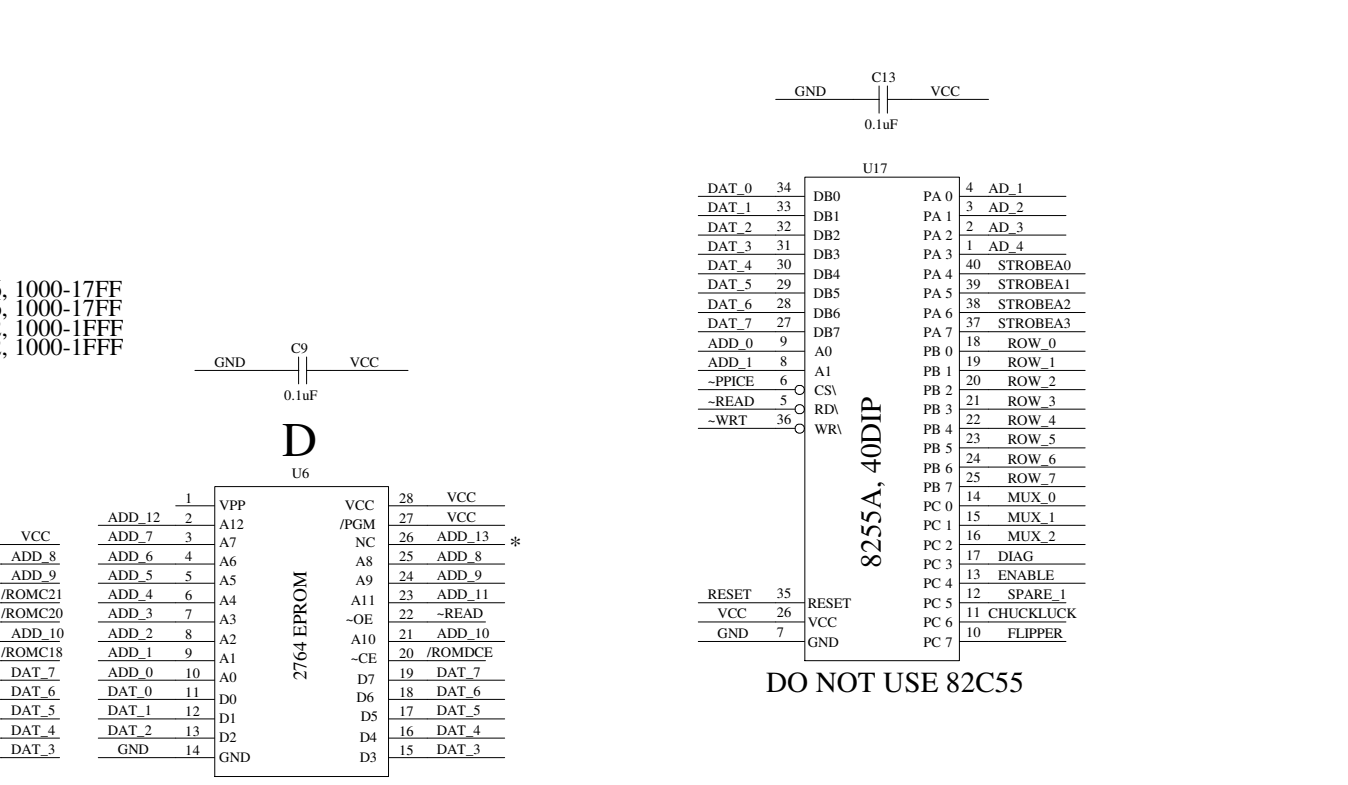
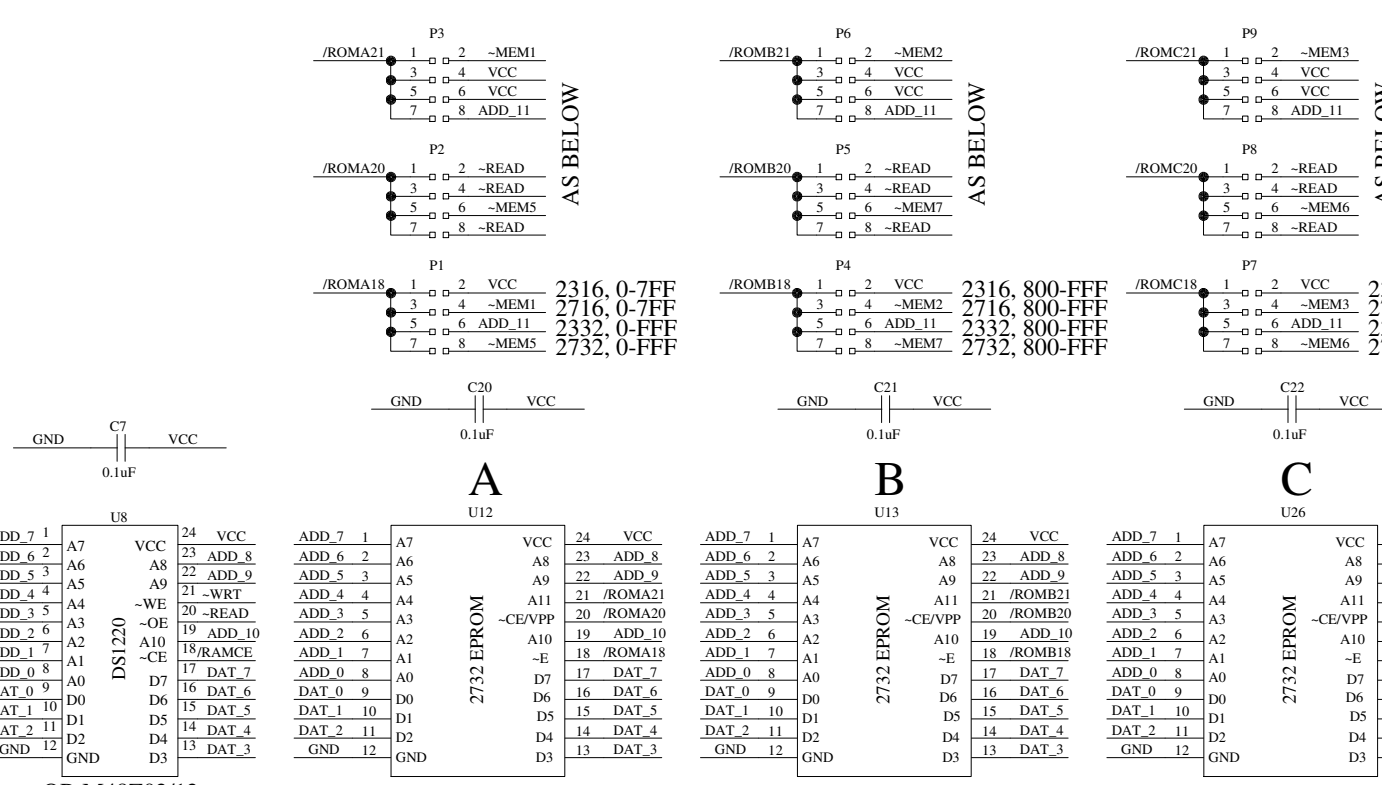
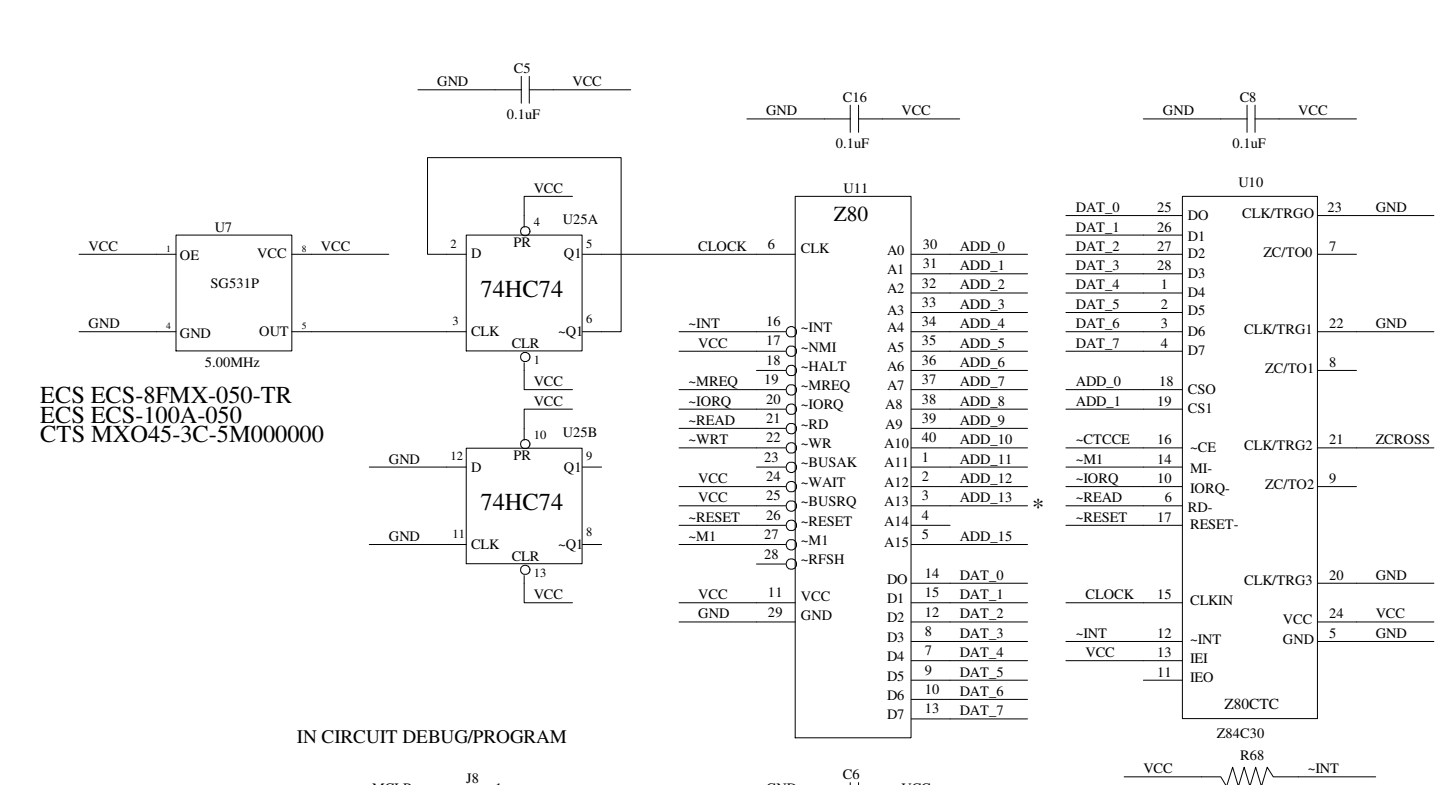


REVISIONS				
ZONE	REV.	DESCRIPTION	DATE	APPROVED
	0	ORIGINAL	12/2015	
	2	SKIPPED 1 BACK TO 0	5/2021	
	3	MORE CHANGES	5/2022	
	4	HCS40, REGULATOR	6/2022	
	5	FIX ZC CIRCUIT	8/2022	
	6	A13 FOR 27128, 7 DIGIT WIRE	2/2023	



DATABASE FILE:	PROPRIETARY	TITLE:	GAMEPLAN MPU BOARD SCH
CHECKED BY:	THIS DRAWING IS THE PROPERTY OF PIONEER MICROSYSTEMS, INC. AND IS NOT TO BE REPRODUCED OR TRANSMITTED IN ANY FORM OR BY ANY MEANS, WITHOUT THE EXPRESS WRITTEN PERMISSION OF PIONEER MICROSYSTEMS, INC.	SIZE:	D
DATE:		DRAWN:	CLEPM
APPROVED:		ENGR:	CLEPM
DATE:		DRAWING NUMBER:	PIONEER440
TOLERANCES:		SCALE:	11-FEB-23
ANGLES:		DATE:	11-FEB-23
		SHEET:	1 OF 1
		REV:	6

8

7

6

5

4

3

2

1

8

7

6

5

4

3

2

1

SHEET

PART NO.